



# Fencing Installation Guide



Feelingwood

# **CONTENTS**

Important Note	3
Fencing Parts Overview	4
Fencing Parts Introduction	5
Fencing Post Installation Method - On Soil Ground	6-7
Fencing Post Installation Method - On Concrete Ground	8-9
Fencing Board Installation Steps	10-12

# Important Note

Before installing any composite product, it is recommended that you check your local building codes for any special requirements or restrictions. The diagrams and instructions outlined in this guide are for illustrative purposes only and are not meant or implied to replace a licensed professional. Any construction or use of Hosung products must comply with all local zoning and/or building codes. The consumer assumes all risks and responsibilities associated with the construction and use of this product.

## Safety

Please take safety precautions before installing the fencing, check that the equipment is working properly and is free of malfunctions, and wear protective safety props such as gloves, goggles, and impact resistant shoes.

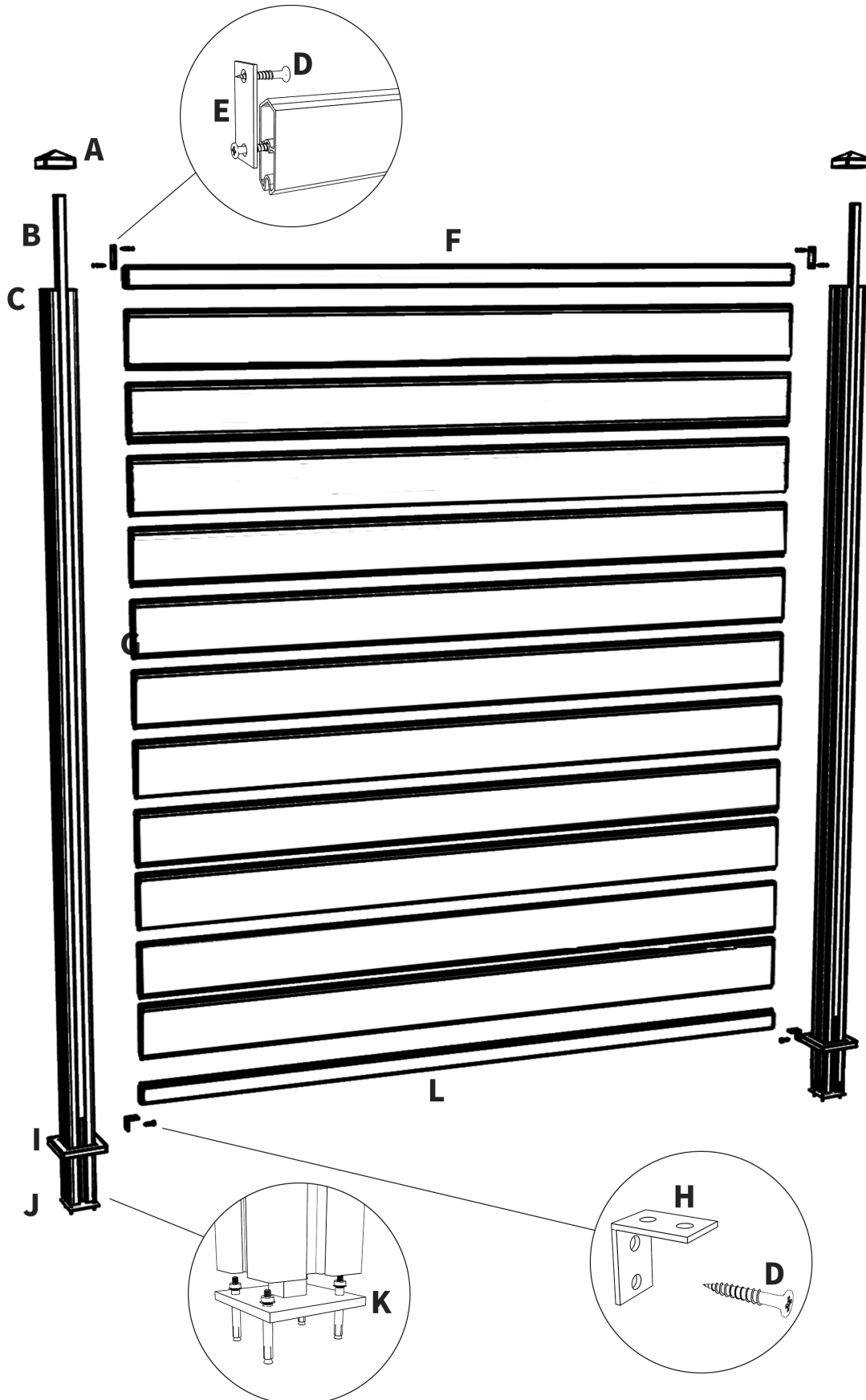
## Environment

Proper installation of Hosung products requires a clean, smooth, flat and sturdy surface. Check with local building codes before installing any type of fencing. If installation is not immediate, Hosung's products need to be placed on a flat surface at all times. Never place on an uneven surface.



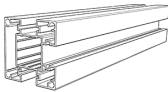


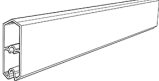
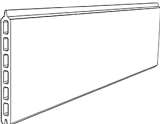
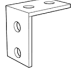

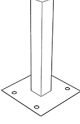

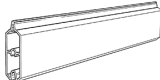
## Planning

Plan the layout for your fencing before you begin to ensure you get the best look for your fencing project. Building codes and zoning ordinances usually apply to permanent structures, i.e., any structure that is anchored to the ground or attached to a house. As a result, almost every type of fencing requires permits and inspections from your local building department. We recommend planning the overall layout approach and scope of the layout prior to installation to try to avoid mistakes in this area.

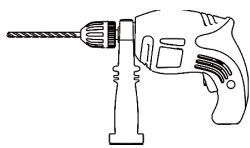
# Fencing Parts Overview



## Fencing Parts Introduction

<u>Code</u>	<u>Qty</u>	<u>Description</u>
A 	×2	Post Cap
B 	×4	Aluminium Strip
C 	×2	Aluminium Fencing Post
D 	×6	Galvanized Screw
E 	×2	SUS Anchor Clip
F 	×1	Aluminium Top Rail
G 	×11	Fencing Board
H 	×2	SUS Anchor Clip
I 	×2	Post Sleeve
J 	×2	Galvanized Fencing Post Base
K 	×8	Galvanized Expansion Bolt
L 	×1	Aluminium Bottom Rail

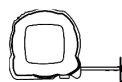
## Tool List



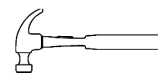
Impact Drill



Electric Drill



Tape Measure



Hammer



Spirit Level

## Fencing Post Installation Method On Soil Ground

- 1 Measure the center distance for installing Aluminium Fencing Posts (C), ensuring a 2-3mm extension beyond the fencing board length. Insert Aluminium Strips (B) into the Fencing Posts (C), avoiding the side for attaching the fencing board.

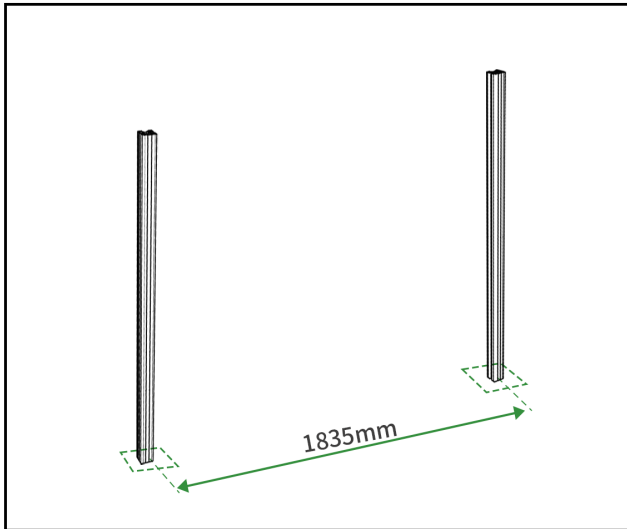


Diagram 1

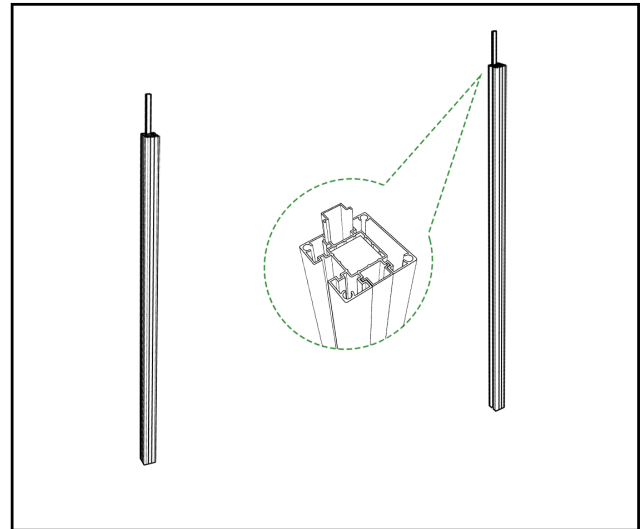


Diagram 2

- 2 Dig holes at the measured positions, approximately 720mm deep with a diameter about 4 times the post diameter. Place 150mm of gravel at the hole's bottom.

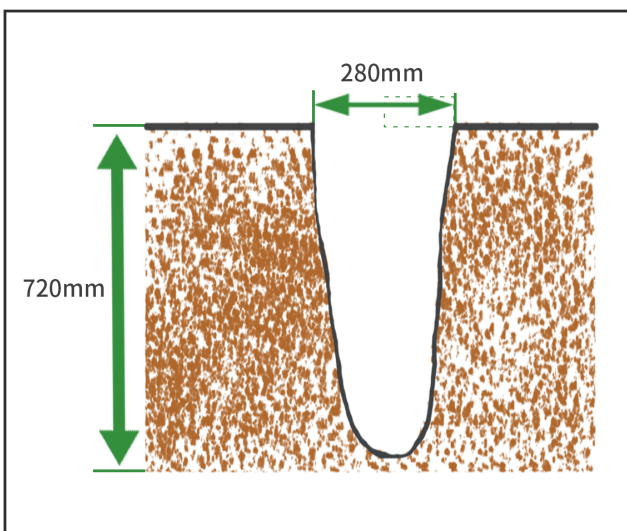


Diagram 3

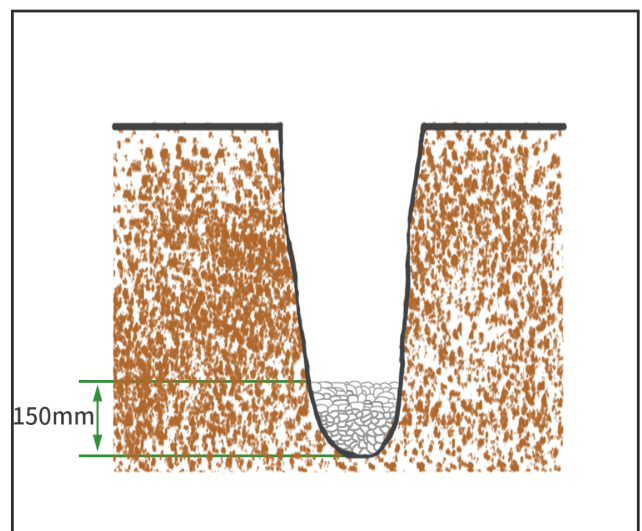


Diagram 4

- 3** Vertically insert the Fencing Posts (C) into the holes. Pour concrete 50mm below ground level and fill with sand to ground level.

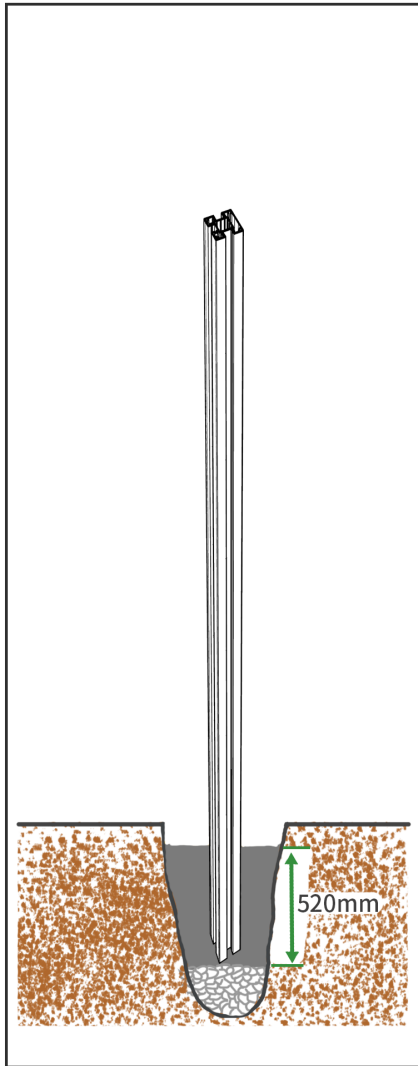


Diagram 5

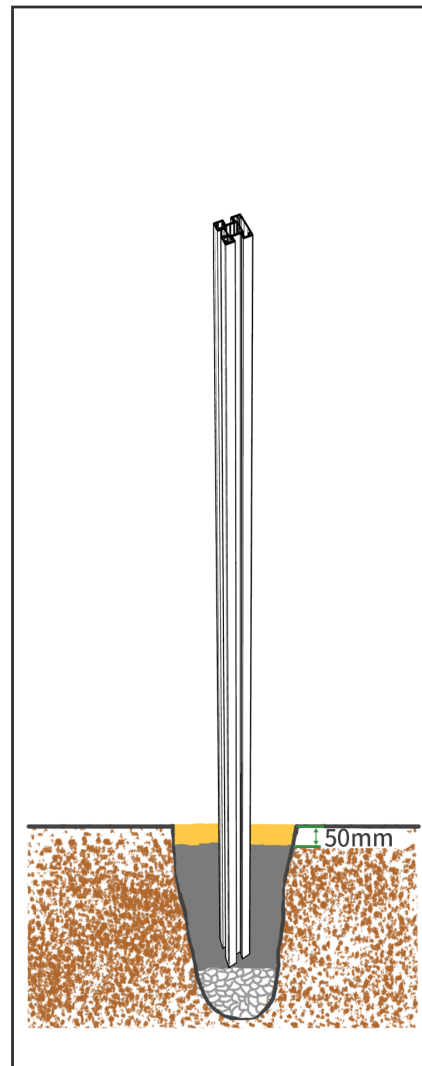


Diagram 6

## Fencing Post Installation Method On Concrete Ground

- 1 Measure the distance between two adjacent Fencing Posts (C) to determine the position for installing the Galvanized Fencing Post Bases (J). Drill holes in the ground using an impact drill, aligning with the holes on the Post Bases (J).

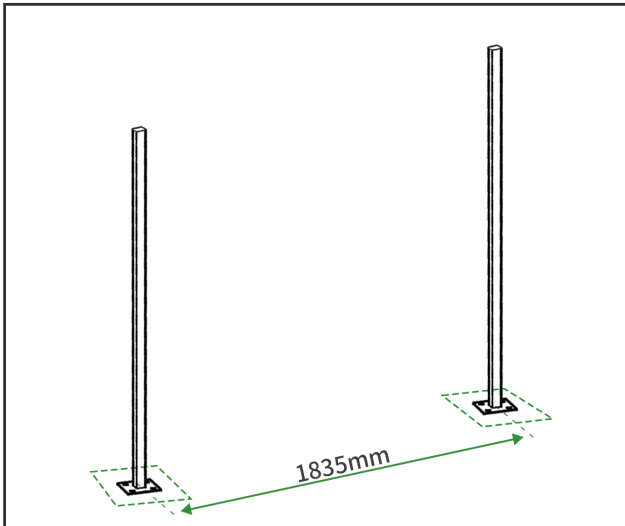


Diagram 7

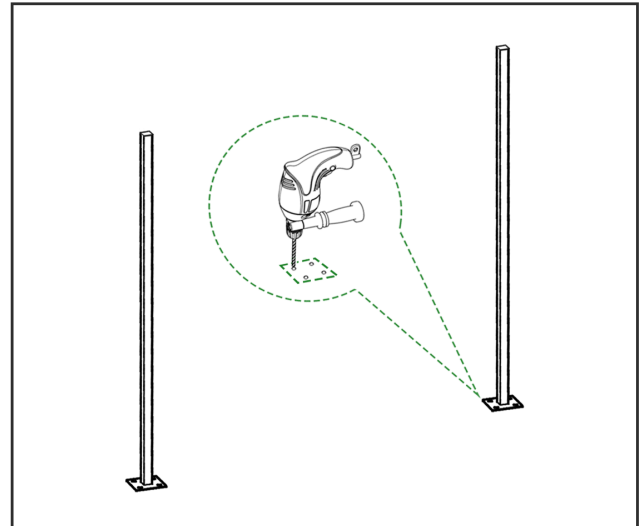


Diagram 8

- 2 Secure the Post Bases (J) to the ground using Galvanized Expansion Bolts (K). Insert Aluminium Strips (B) into the Fencing Posts (C), avoiding the side for attaching the fencing board.

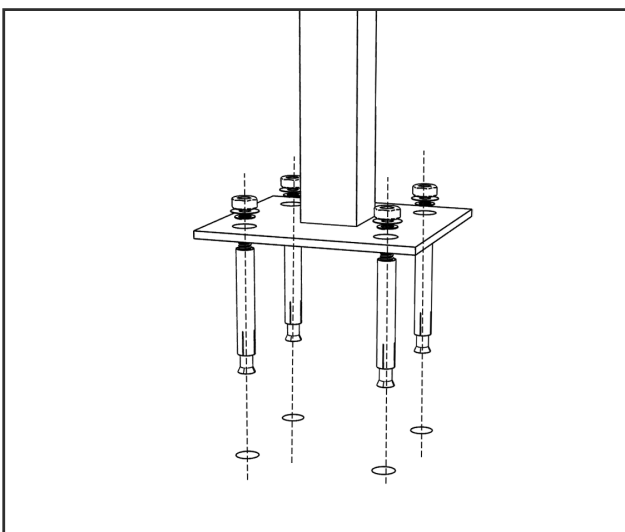


Diagram 9

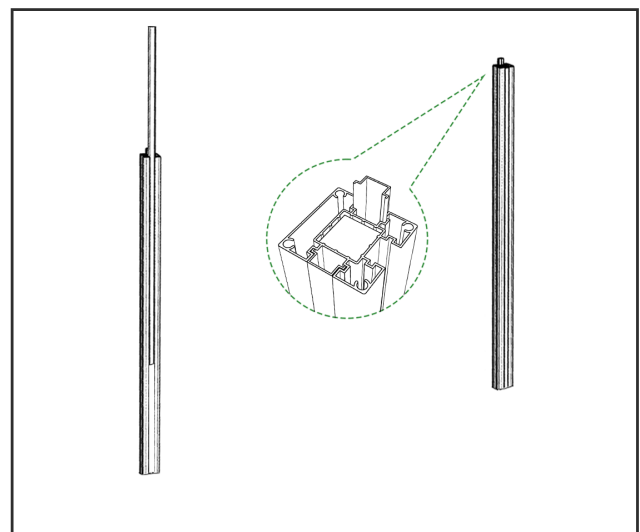
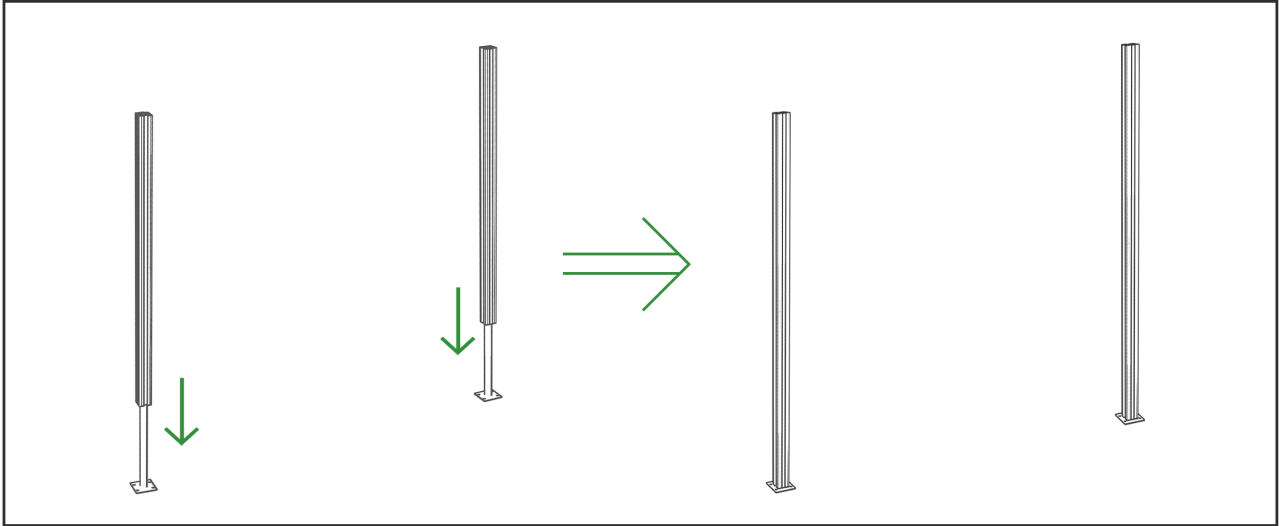


Diagram 10

**3** Insert the Fencing Posts (C) onto the Post Bases (J).



**Diagram 11**

## Fencing Board Installation Guide

- 1 Insert Post Sleeves (I) from the top of Fencing Posts (C) and slowly slide down to the bottom. Secure Anchor Clips (H) to the Fencing Posts (C) using Galvanized Screws (D), as shown in Diagram 13.

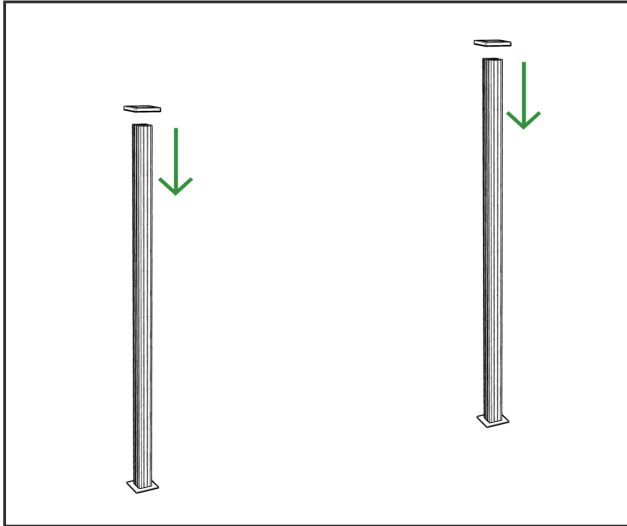


Diagram 12

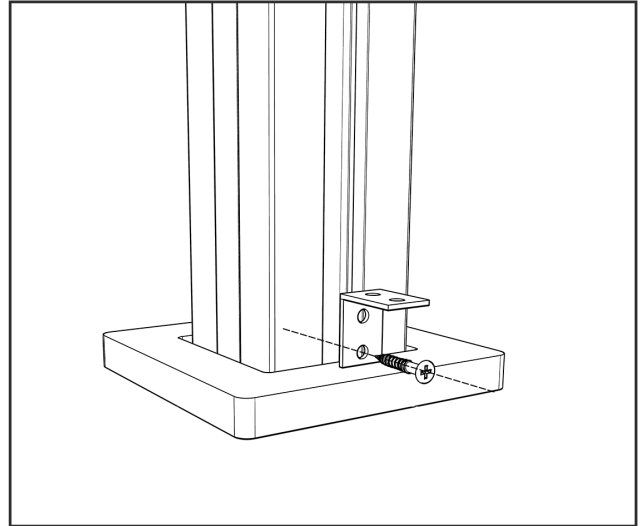


Diagram 13

- 2 Insert Aluminium Bottom Rail (L) into the Fencing Posts (C) and slowly slide it down to position on the Anchor Clips (H).

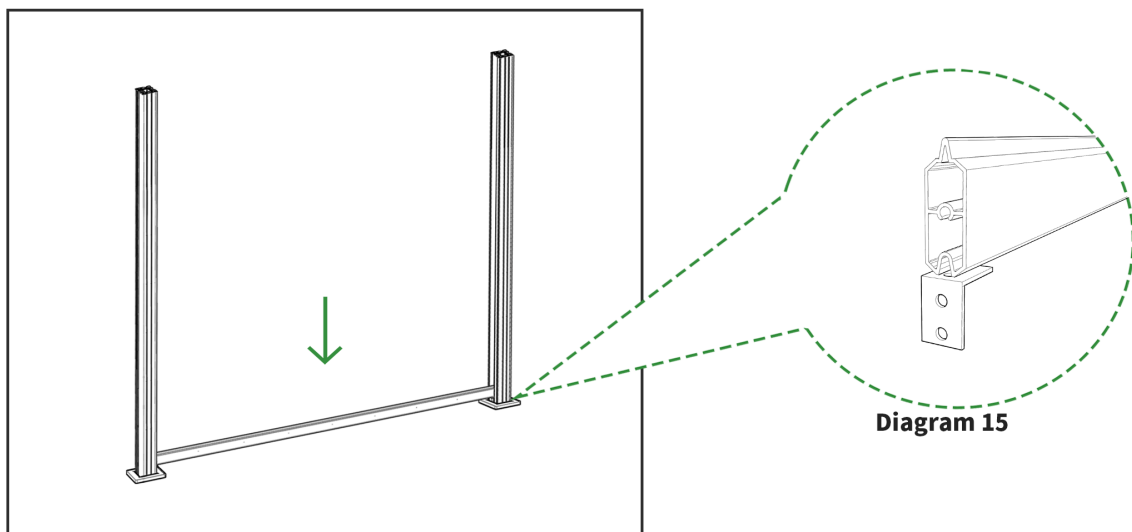


Diagram 14

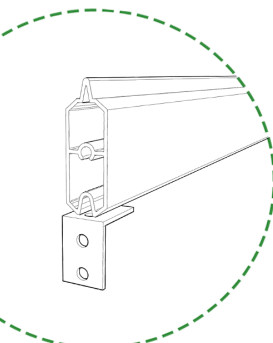
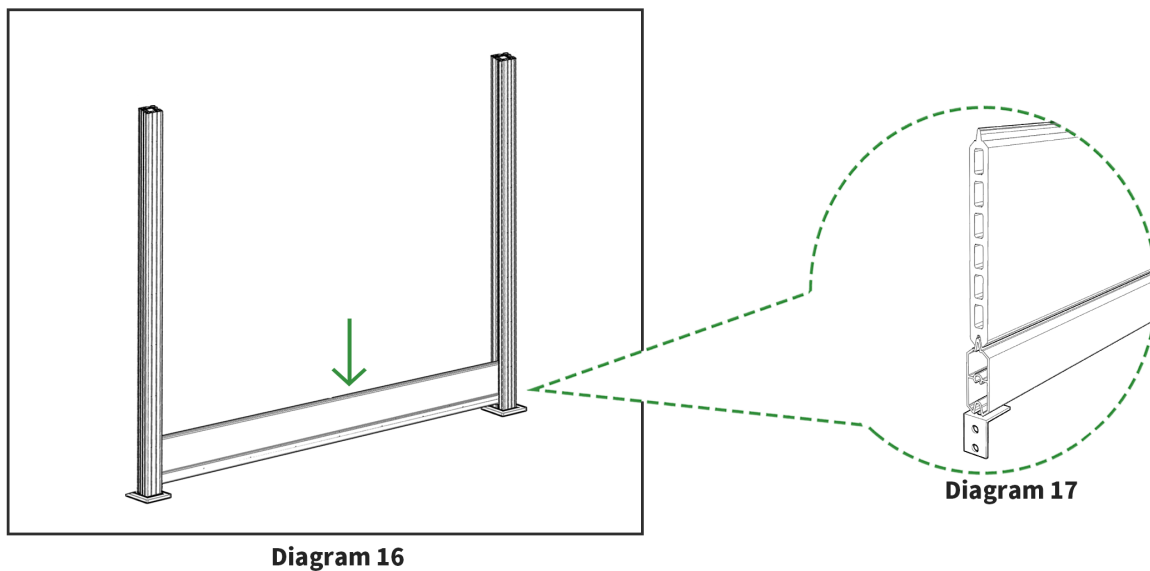
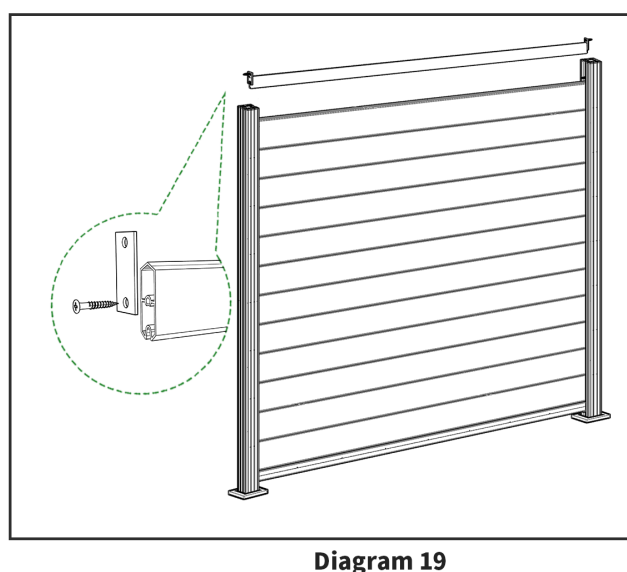
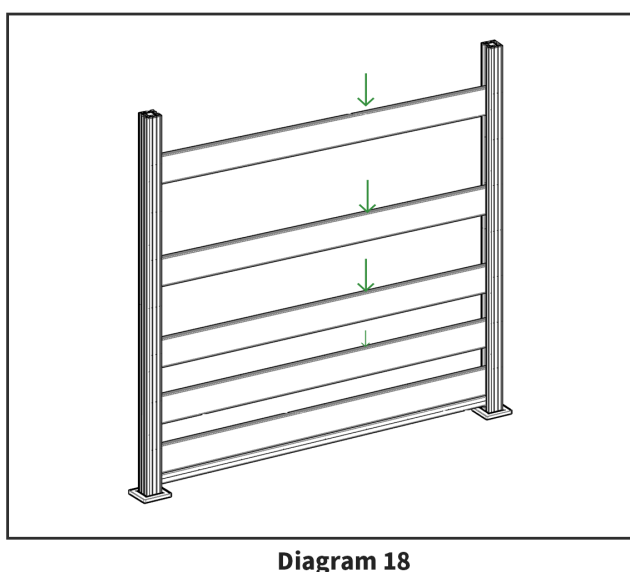


Diagram 15

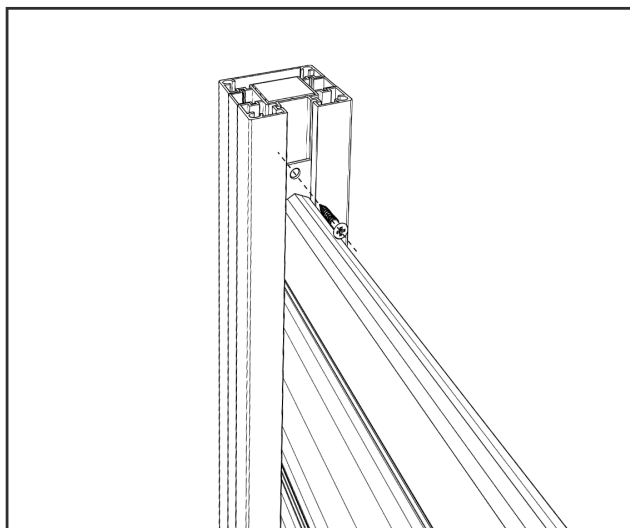
- 3** Insert the first Fencing Board (G) from the top, sliding down slowly and securing it to the Bottom Rail (L), as shown in Diagram 17.



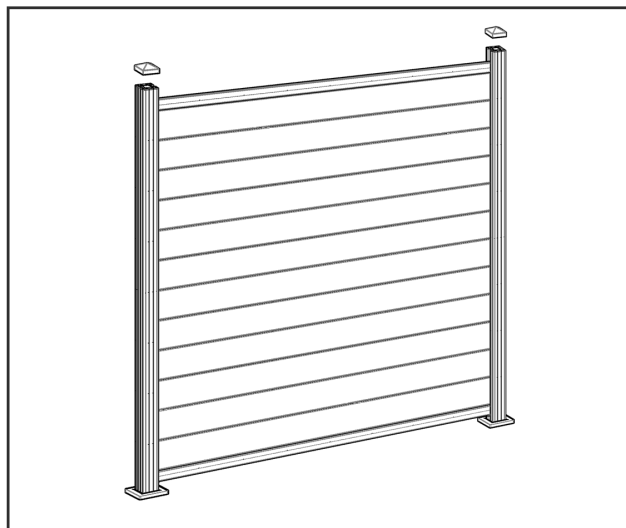
- 4** Continue sliding in the rest of the Fencing Boards (G). Install Anchor Clip (E) on each side of Aluminium Top Rail (F), then insert the Top Rail (F) into the Fencing Posts (C).



- 5** Use Screws (D) to secure Anchor Clips (E) to Fencing Posts (C). Apply adhesive to fix the Post Caps (A) on the top of the Fencing Posts (C).

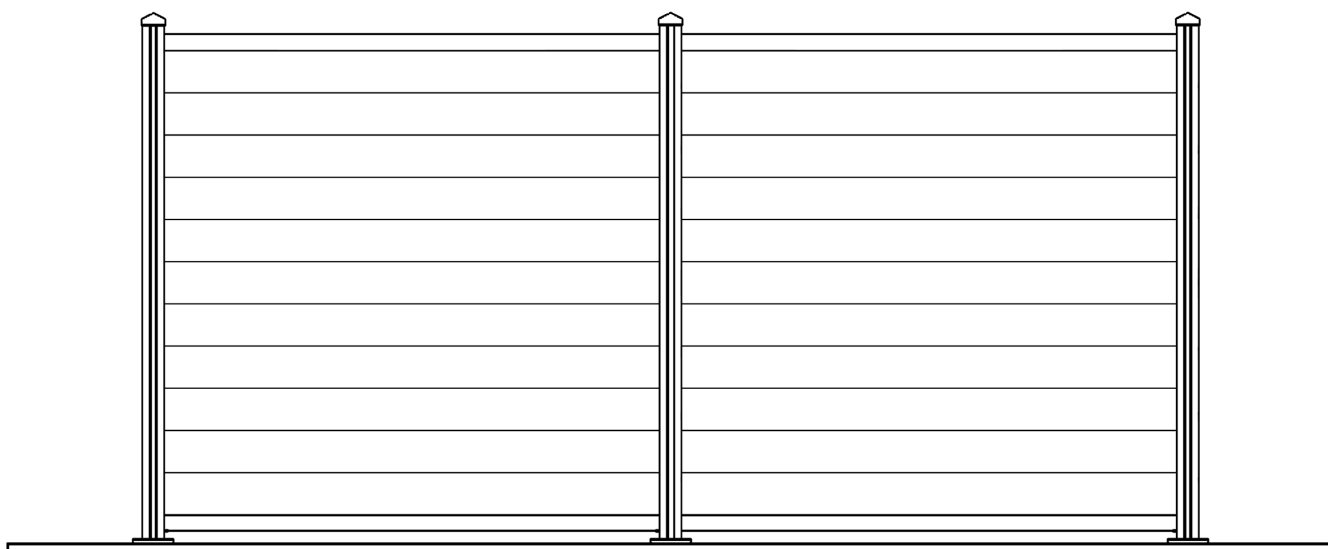


**Diagram 20**



**Diagram 21**

- 6** Fencing installation is complete and the completed fencing should look like below.





FEELINGWOOD CO., LTD.

Add: 10611 Harwin Dr Suite 406 Houston TX, USA 77036

Tel: +1(832) 605-5896

Email: [lucio@feelingwoodwpc.com](mailto:lucio@feelingwoodwpc.com)

[www.feelingwoodwpc.com](http://www.feelingwoodwpc.com)