

Feelingwood

Fast-Installation System, Exploring a New Life.

Decking Installation Guide



PRE-INSTALLATION

Key areas should be considered prior to embarking on the installation of your Feelingwood deck boards and ancillary products. This section shall cover advice on handling, recommend tools for the job and a selection of important elements to consider ahead of installation.

PRECAUTIONS FOR **COMPOSTIE DECKING INSTALLATION**

Please read this manual carefully before installation. We recommend that you learn more about relevant laws and regulations in your area before installing composite decking. This installation manual only provides instructions for correct installation and cannot replace legal and professional licenses. The installation and use of our products must comply with relevant laws and regulations in the region. The user shall bear all risks and responsibilities related to it.

When working on any construction project, you should wear protective clothing and safety equipment.

Wear face shield, hearing protection, gloves, and long sleeves, particularly when cutting in confined spaces.



REFERENCE TABLE OF EXPANSION RESERVED GAPS

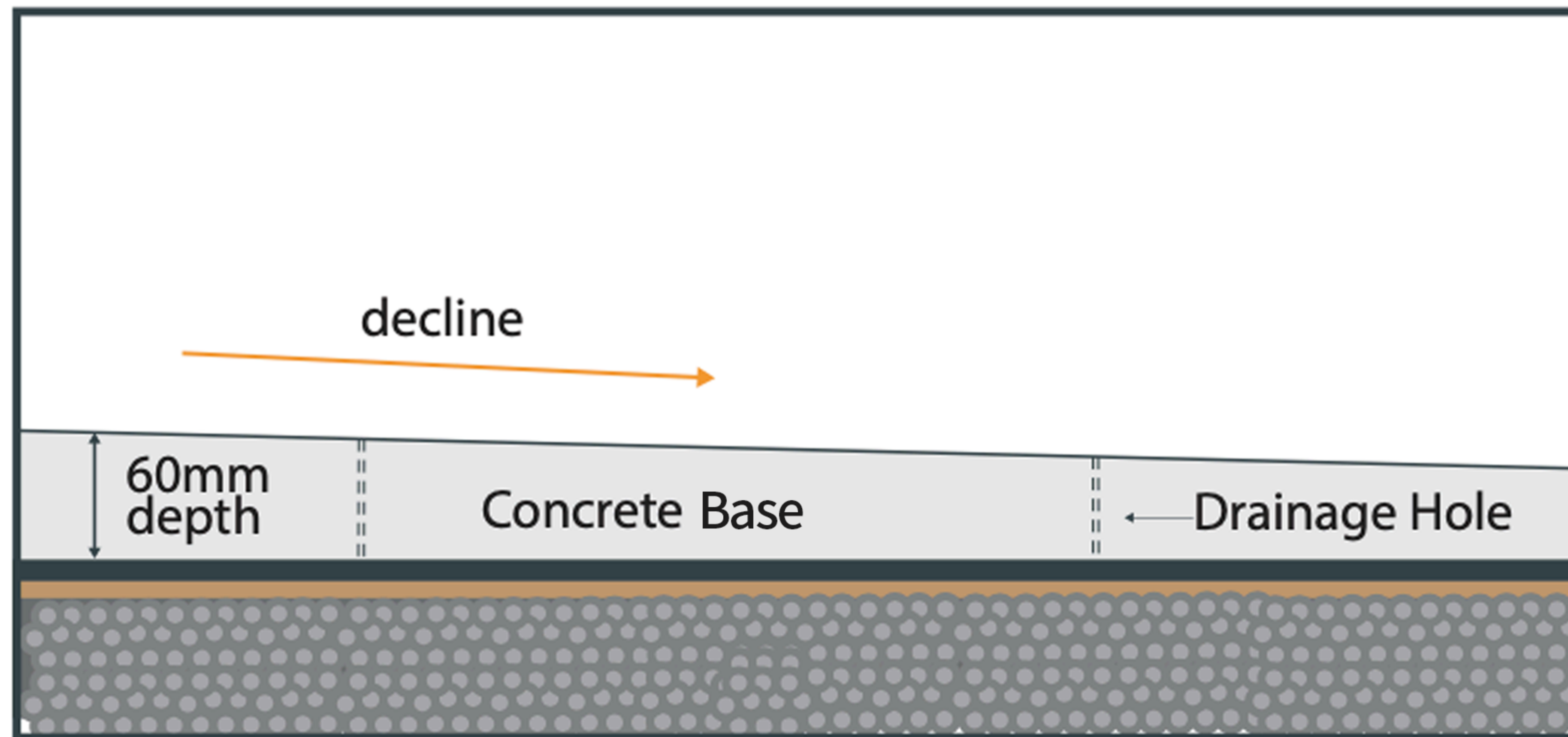
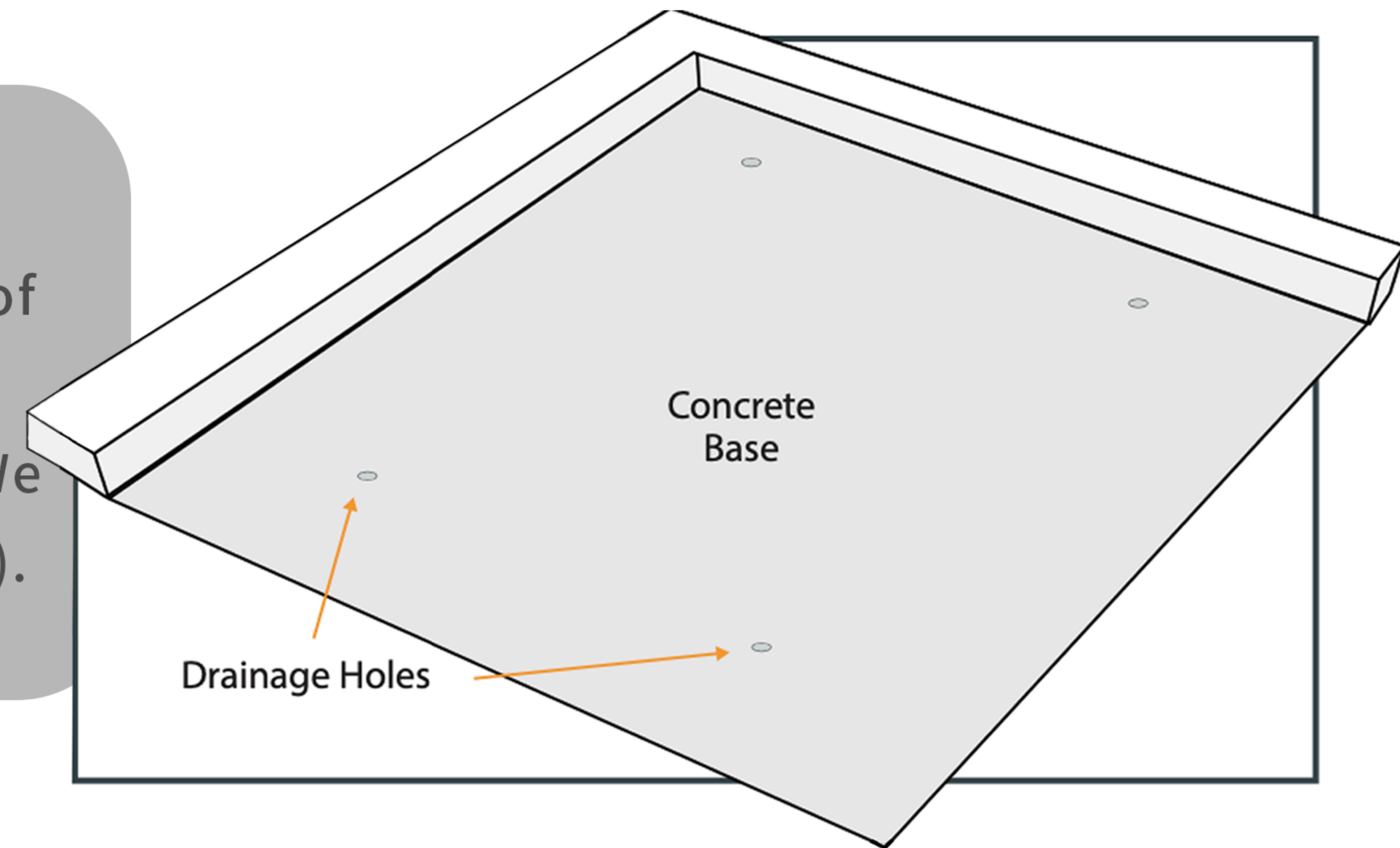
As different countries and regions have different climate changes, we recommend that our customers calculate the number of reserved gaps according to the formula, local temperature changes, the length of the boards to be installed, and the number of gaps. The following is a calculation reference table for a certain region.

		Length of boards (mm)									Thermal expansion rate
		1000	2440	2900	3000	3660	3900	4000	4880	5400	5
Temperature difference	10	0.5	1.2	1.5	1.5	1.8	2.0	2.0	2.4	2.7	Reserved gaps (mm)
	15	0.8	1.8	2.2	2.3	2.7	2.9	3.0	3.7	4.1	
	20	1.0	2.4	2.9	3.0	3.7	3.9	4.0	4.9	5.4	
	25	1.3	3.1	3.6	3.8	4.6	4.9	5.0	6.1	6.8	
	30	1.5	3.7	4.4	4.5	5.5	5.9	6.0	7.3	8.1	
	35	1.8	4.3	5.1	5.3	6.4	6.8	7.0	8.5	9.5	
	40	2.0	4.9	5.8	6.0	7.3	7.8	8.0	9.8	10.8	

PREPARATION

Begin With The Base

Your concrete base should have a minimum thickness of 40mm and have a slight decline to allow for drainage. You may also wish to add drainage holes to the base. We recommend an 80mm hole every 4 square meters (4m²).



Incorporate A Decline To Aid Drainage

In order to reduce the level of sitting water underneath your decking, we recommend including a 1% decline on your concrete base.

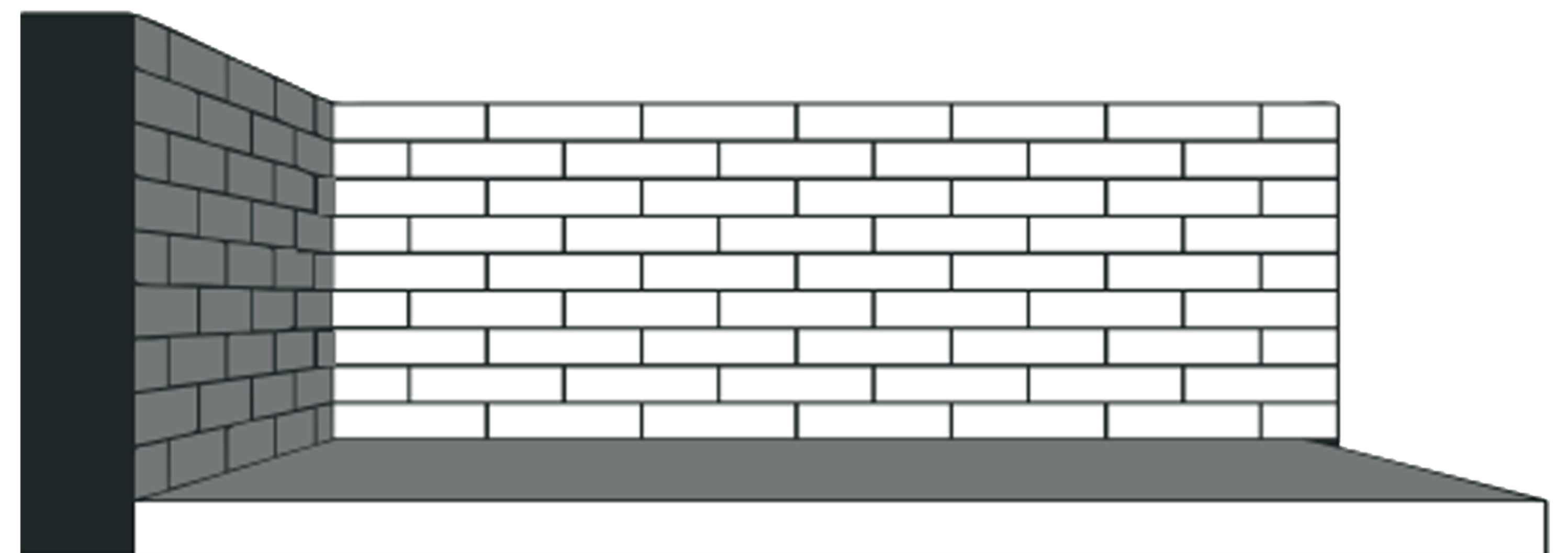
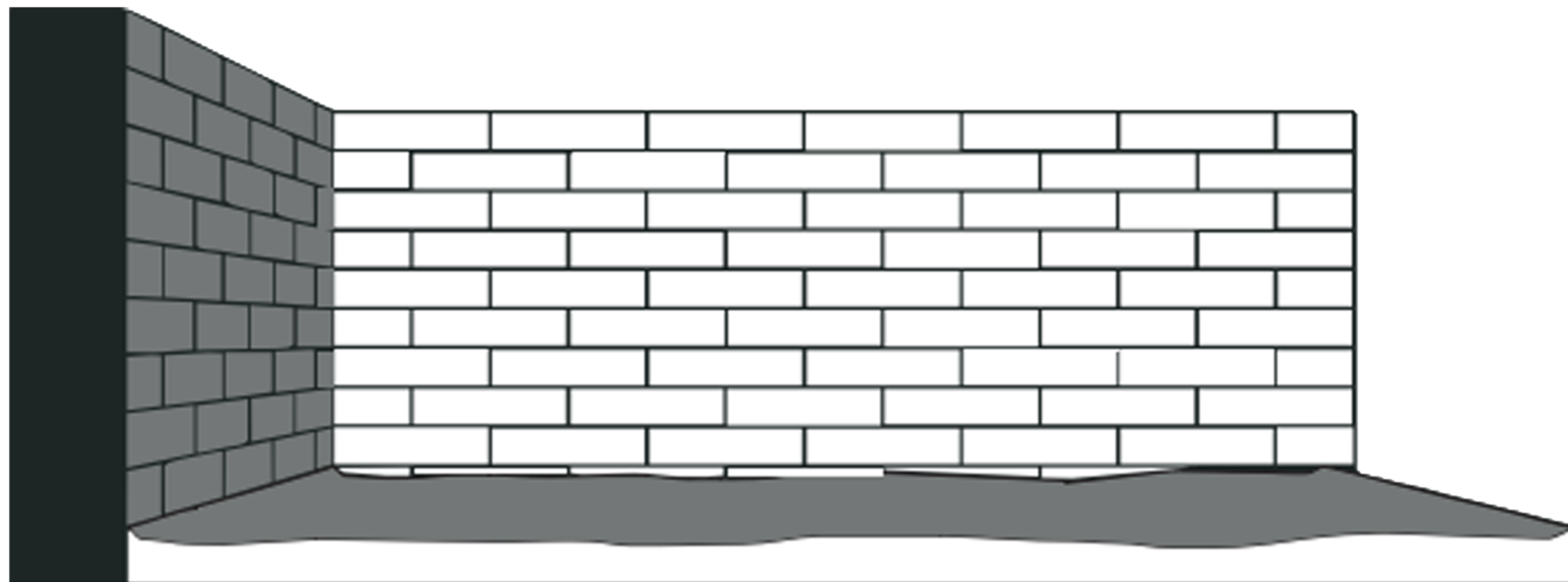
PREPARATION

Measurement:

Before installation, measure and calculate the required composite decking. After entering the site, composite decking should be stored on a dry, clean, flat, and ventilated horizontal surface, stacked flat, away from heat sources, to prevent contamination. Cover the product well during storage to ensure that the product is clean and tidy until it is opened during construction.

Ground preparation:

The installation requires the ground treatment to be leveled, and the surface of the concrete base layer should be hard, level, clean, dry, free of floating soil, sand, and cracks. The protruding gravel should be cut flat, the recessed part should be filled, and the water content of the ground should be measured.

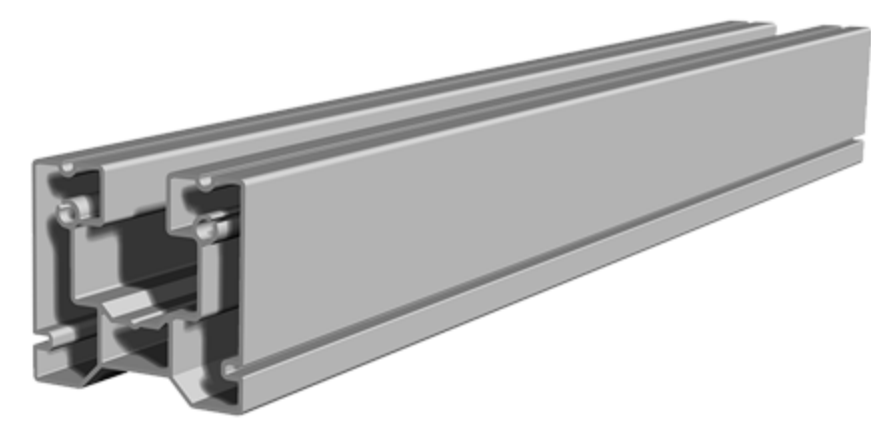




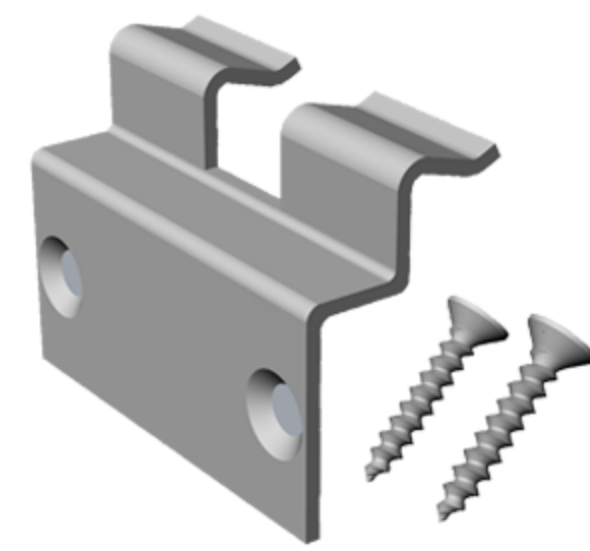
INSTALLATION GUIDE

Here, you will find an overview of the Feelingwood fast-installation system components and step-by-step instructions to the fast-installation system. This detailed guide aims to assist you in achieving a quicker and more effortless installation experience.

FAST-INSTALLATION COMPONENTS OVERVIEW



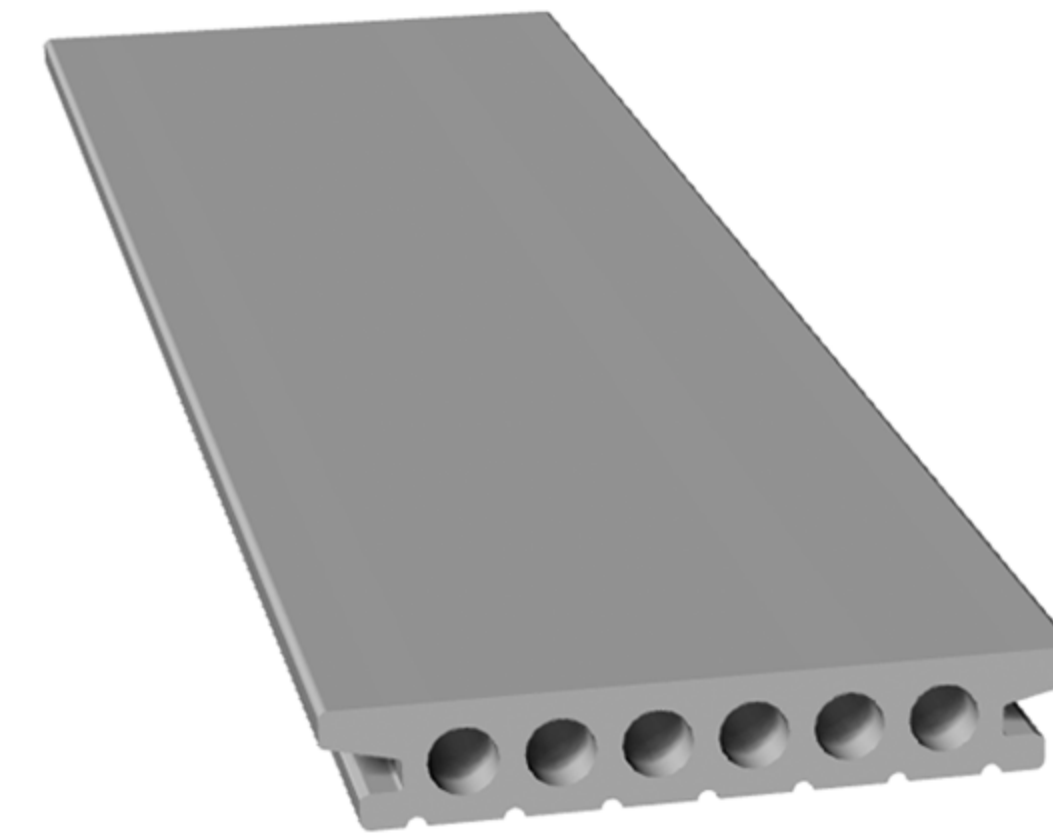
①



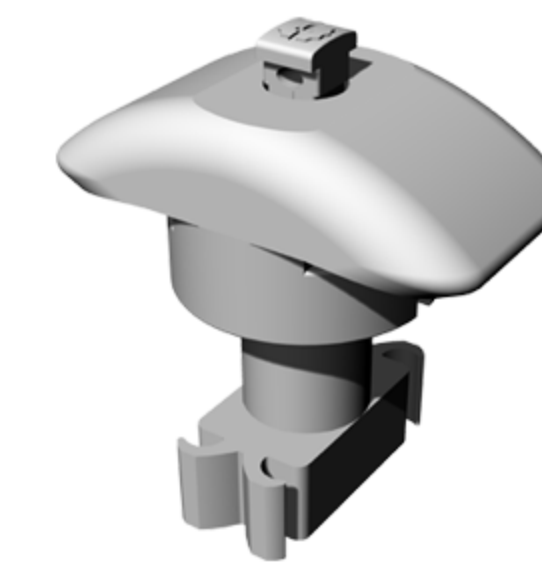
②



③



④



⑤



⑥

① Aluminium Joist



③ Expansion Screw



⑤ Intermediate Clip



② Starter Clip and Screw



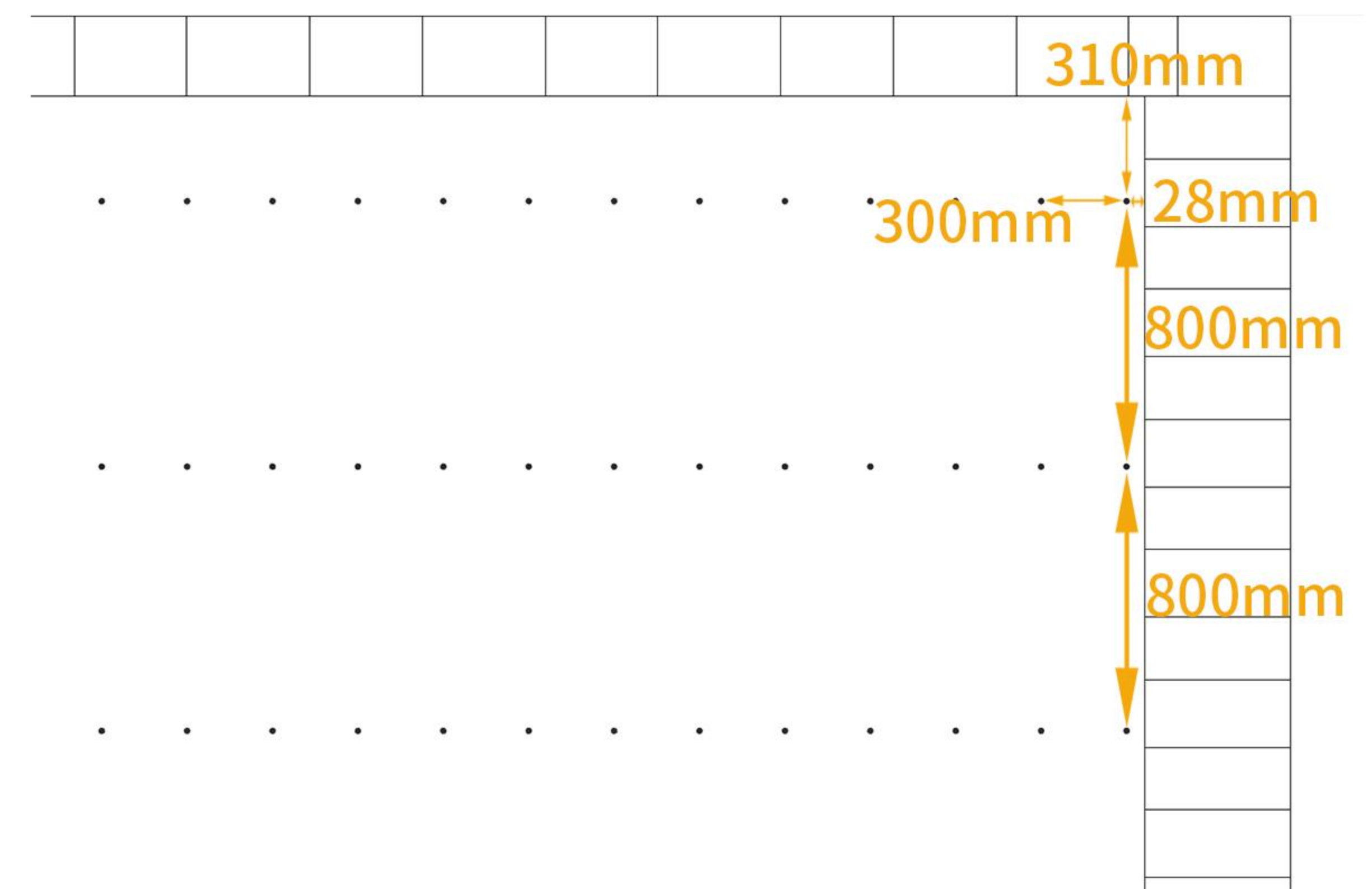
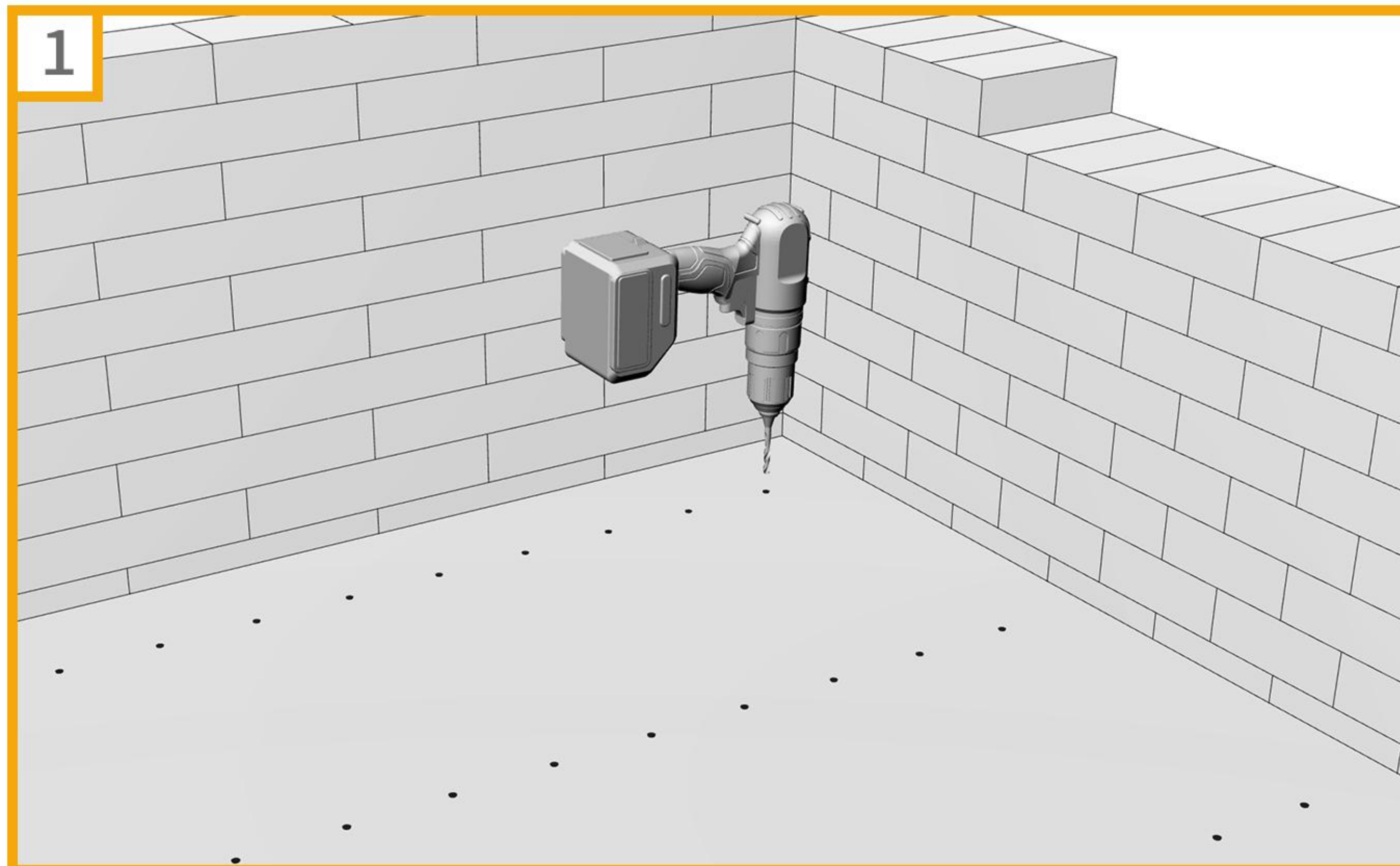
④ Decking Boards



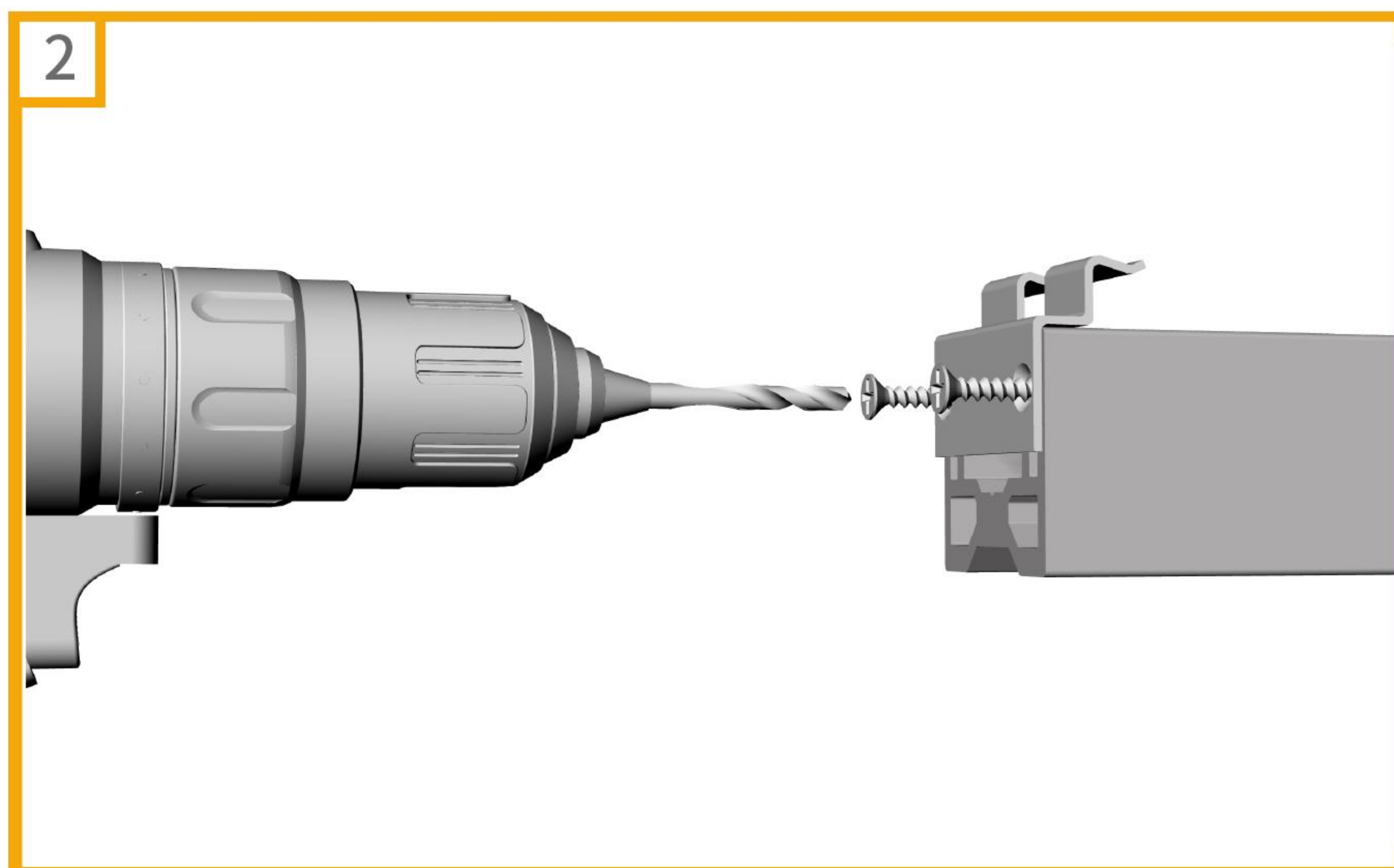
⑥ Clip Driver



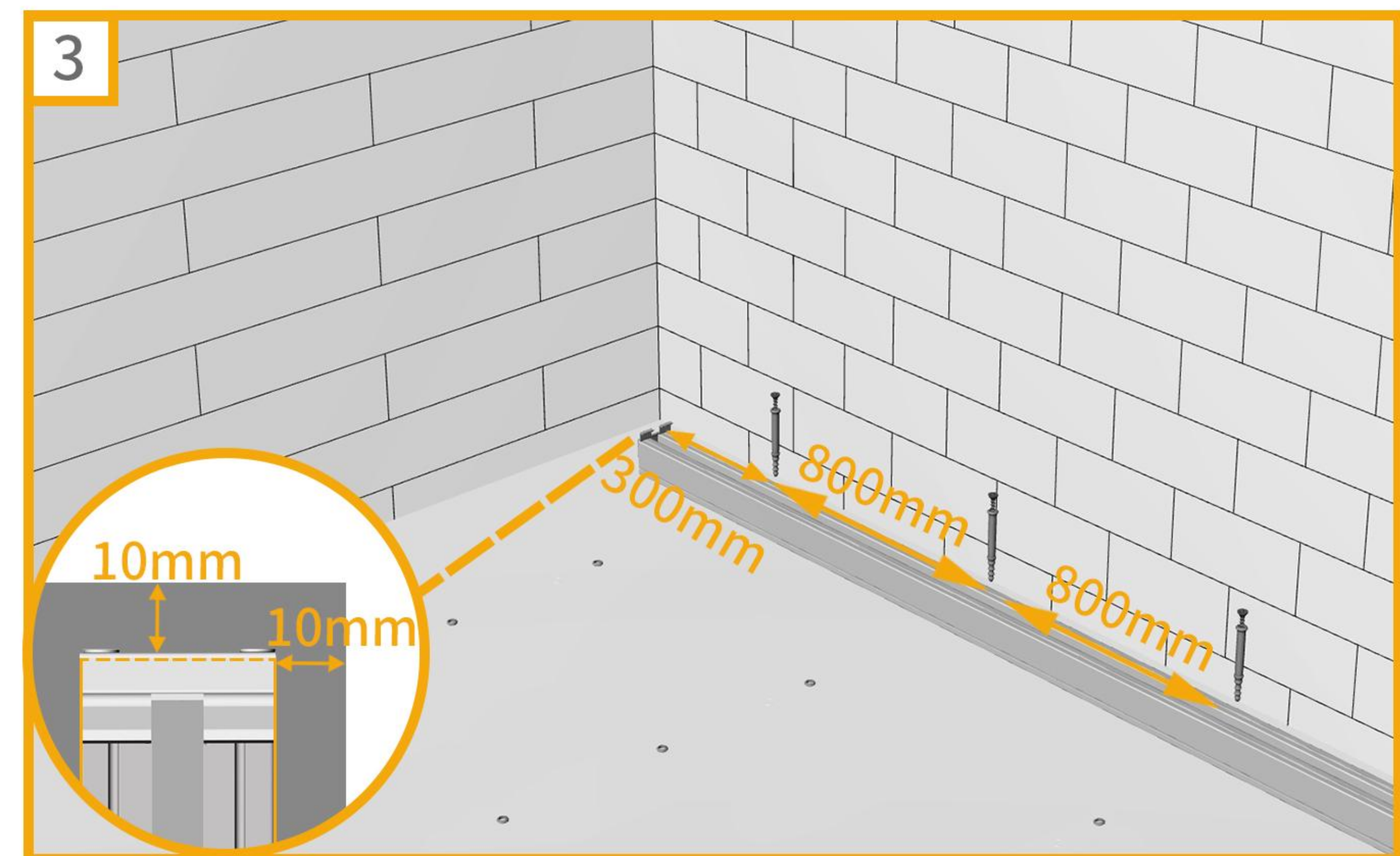
INSTALLATION GUIDE



Before fixing the joist, make sure the ground is clean and flat. Punching holes in the installation area with impact drill. Recommended widthways between each 2 holes is 300mm. The lengthway 1st hole will be 310mm distance to the front wall, the 2nd hole will be 800mm distance to the 1st hole, the 3rd hole will be 800mm to the 2nd hole, these distances depend on the reserved holes on the aluminum joist. And the lengthway 1st row of all holes shall leave 28mm distance to the parallel wall.

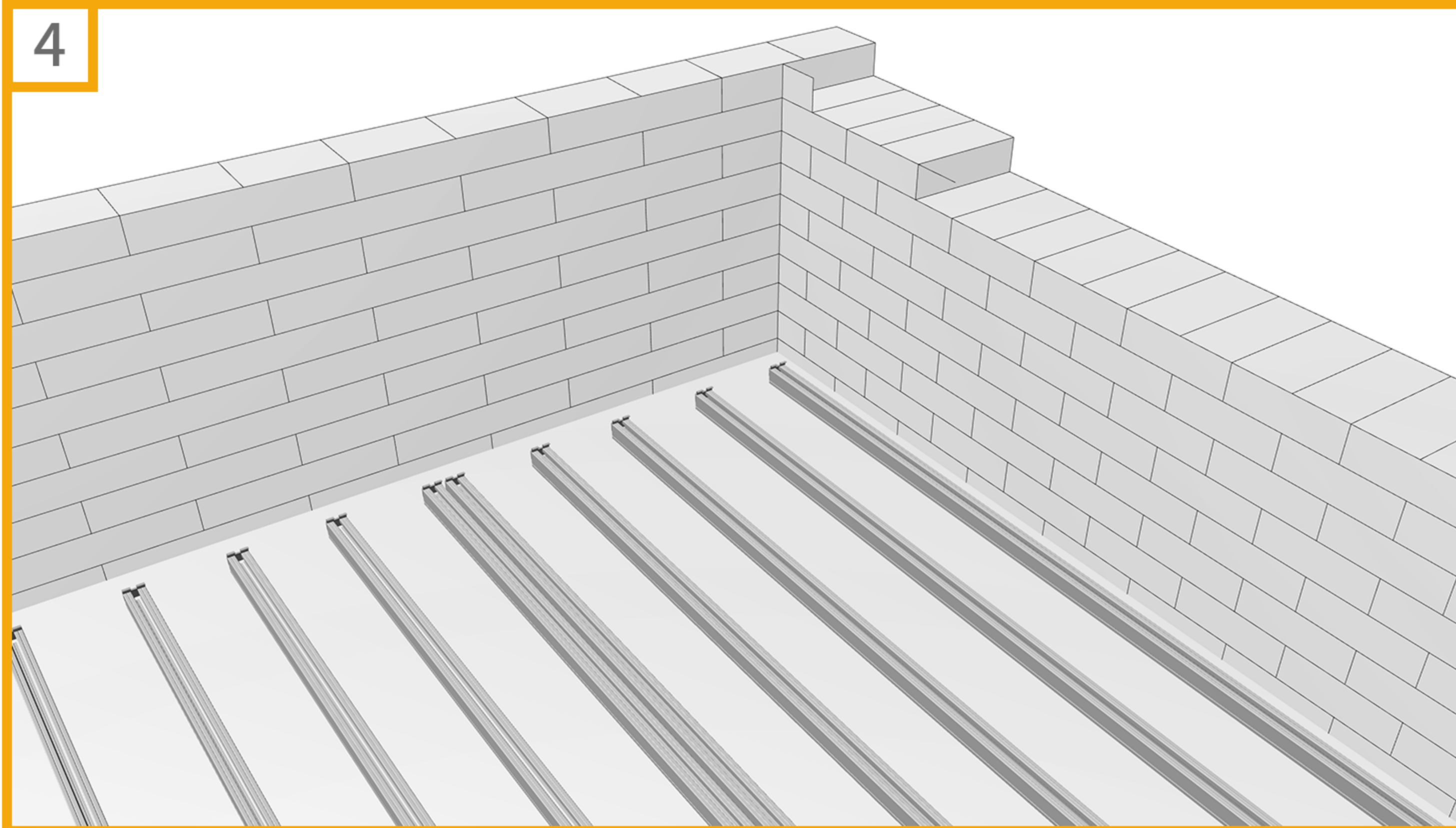


Use electric drill to fix the starter clip at the end of aluminum joist with 2 pieces of stainless steel screw.



Take the lengthway holes as a center line and lay the 1st aluminum joist on the line, align the reserved holes on the joist with the holes on the ground. The end of the joist will have 10mm distance to the front wall. Then use the electric drill to secure expansion pipe and screw into the corresponding holes to get the aluminum joist fixed.

INSTALLATION GUIDE



Installing the rest joists in sequence with the same method. Two joists are needed for each deck at the juncture.

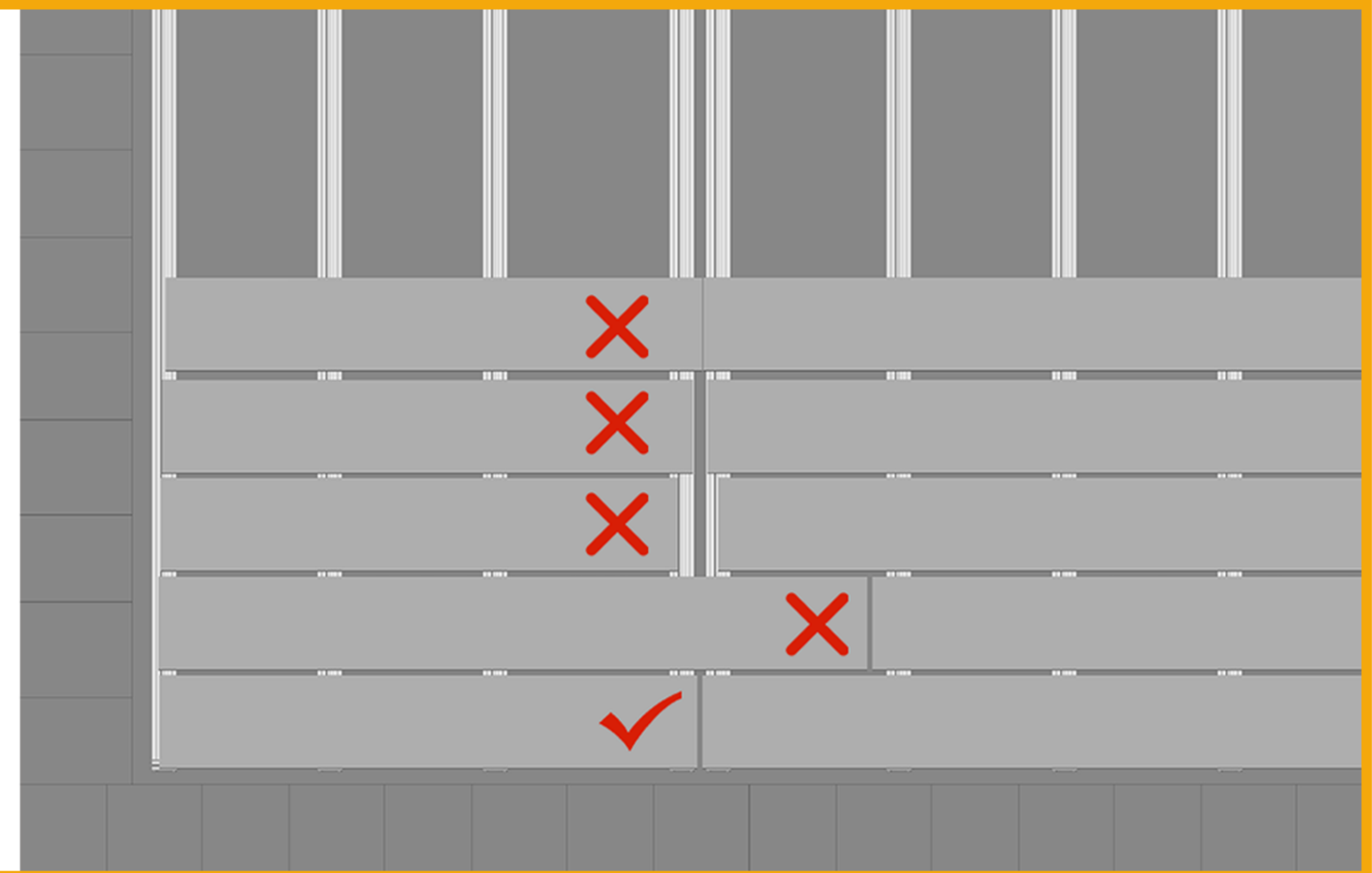
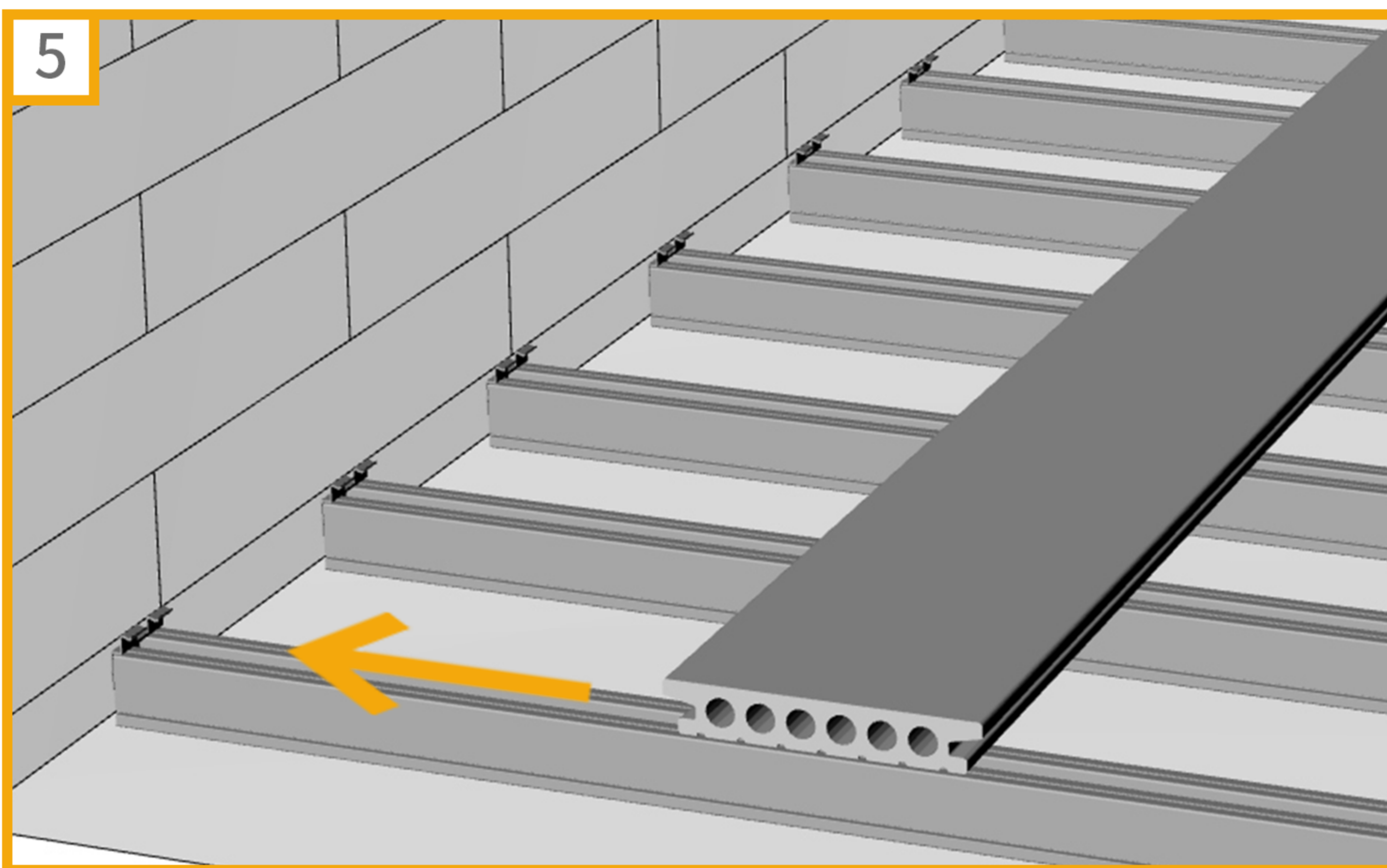
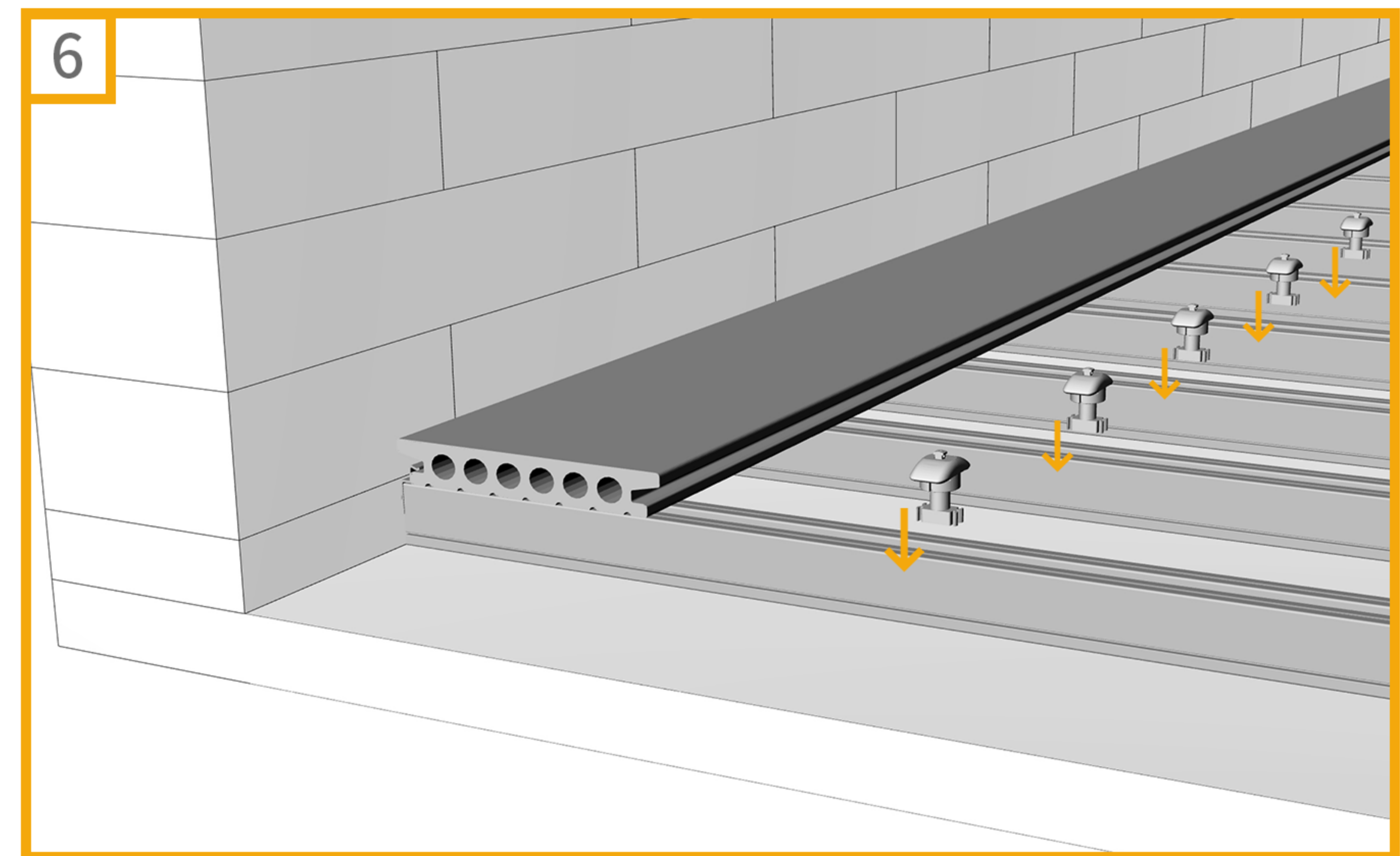


Figure: The correct decking installation method at the juncture.

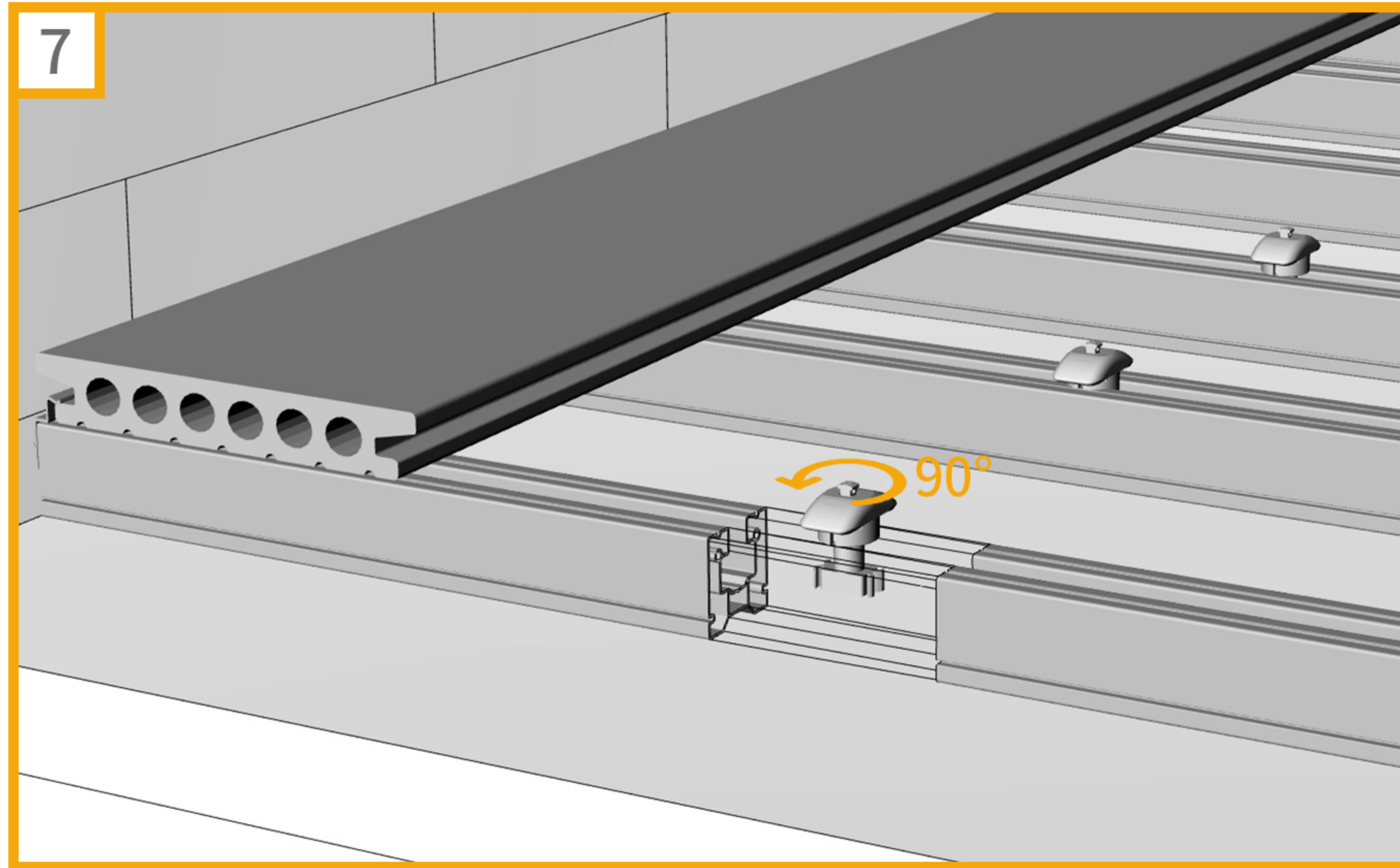


Put the first decking board on vertical way of joist, slide one side of the decking board into the starter clip, which should snugly fit for a secure hold.

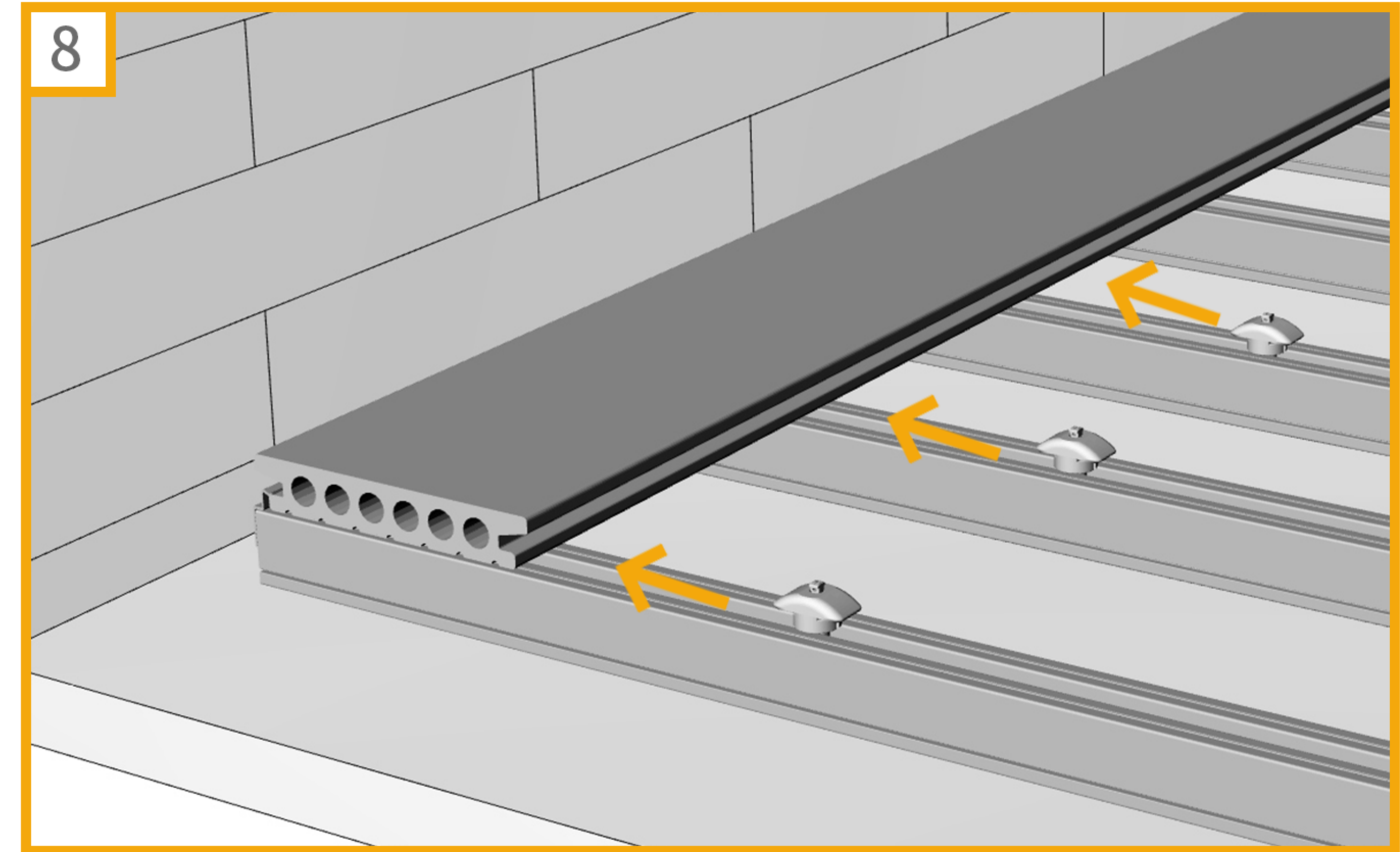


Place the intermediate clips into the grooves on the aluminum joist in order.

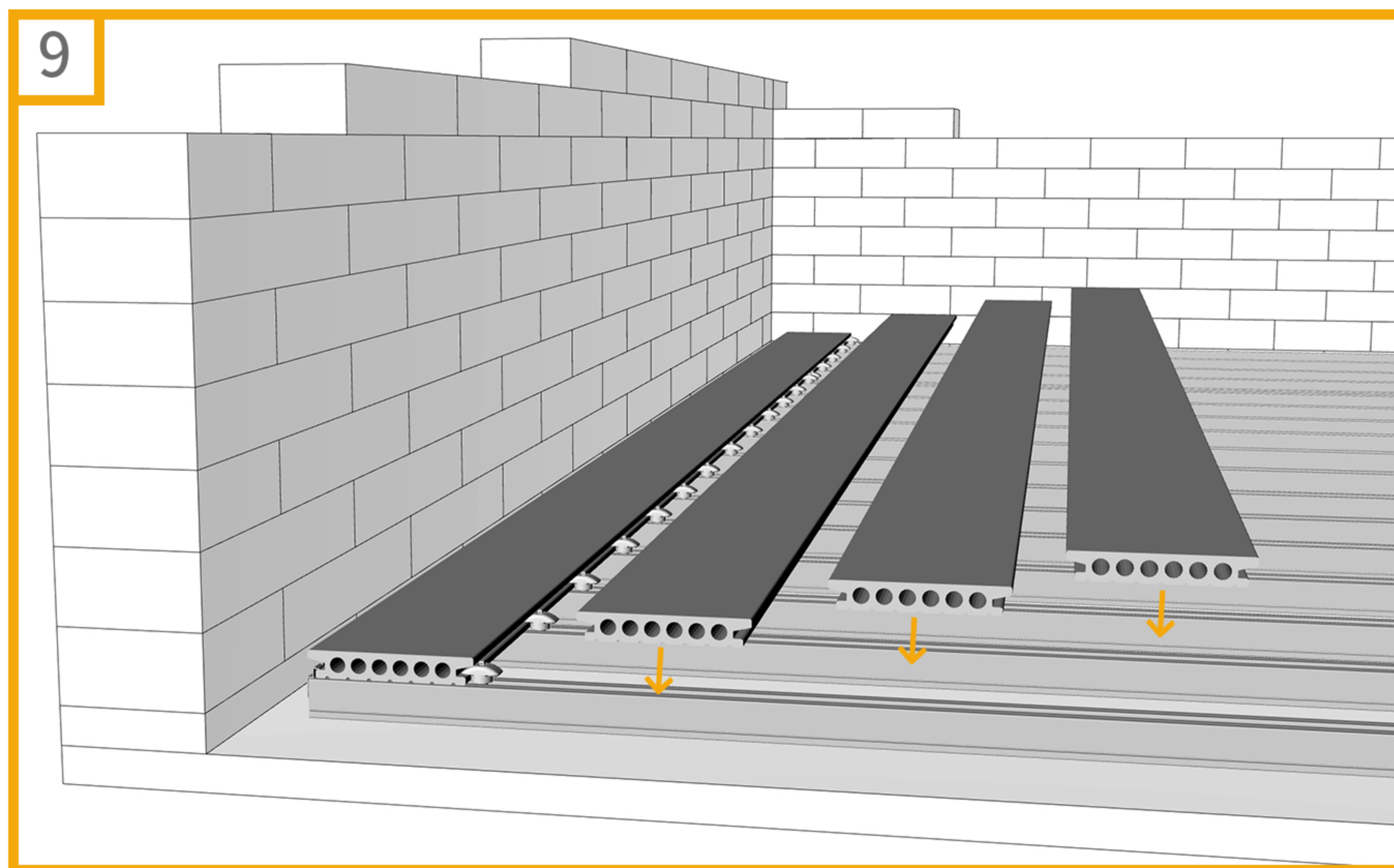
INSTALLATION GUIDE



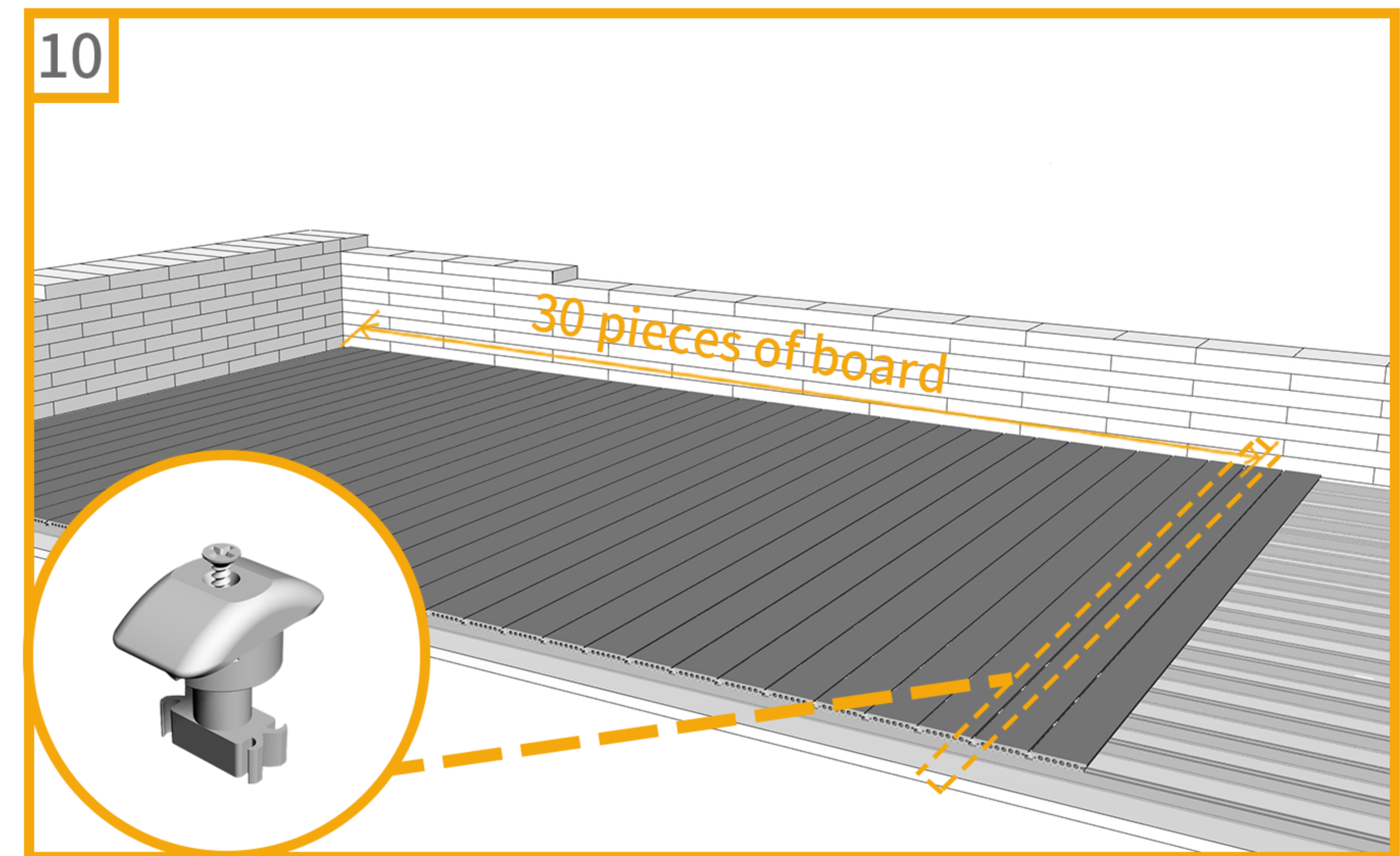
Rotate the intermediate clips 90 degrees.



Push the rotated intermediate clips into the grooves on the decking board.

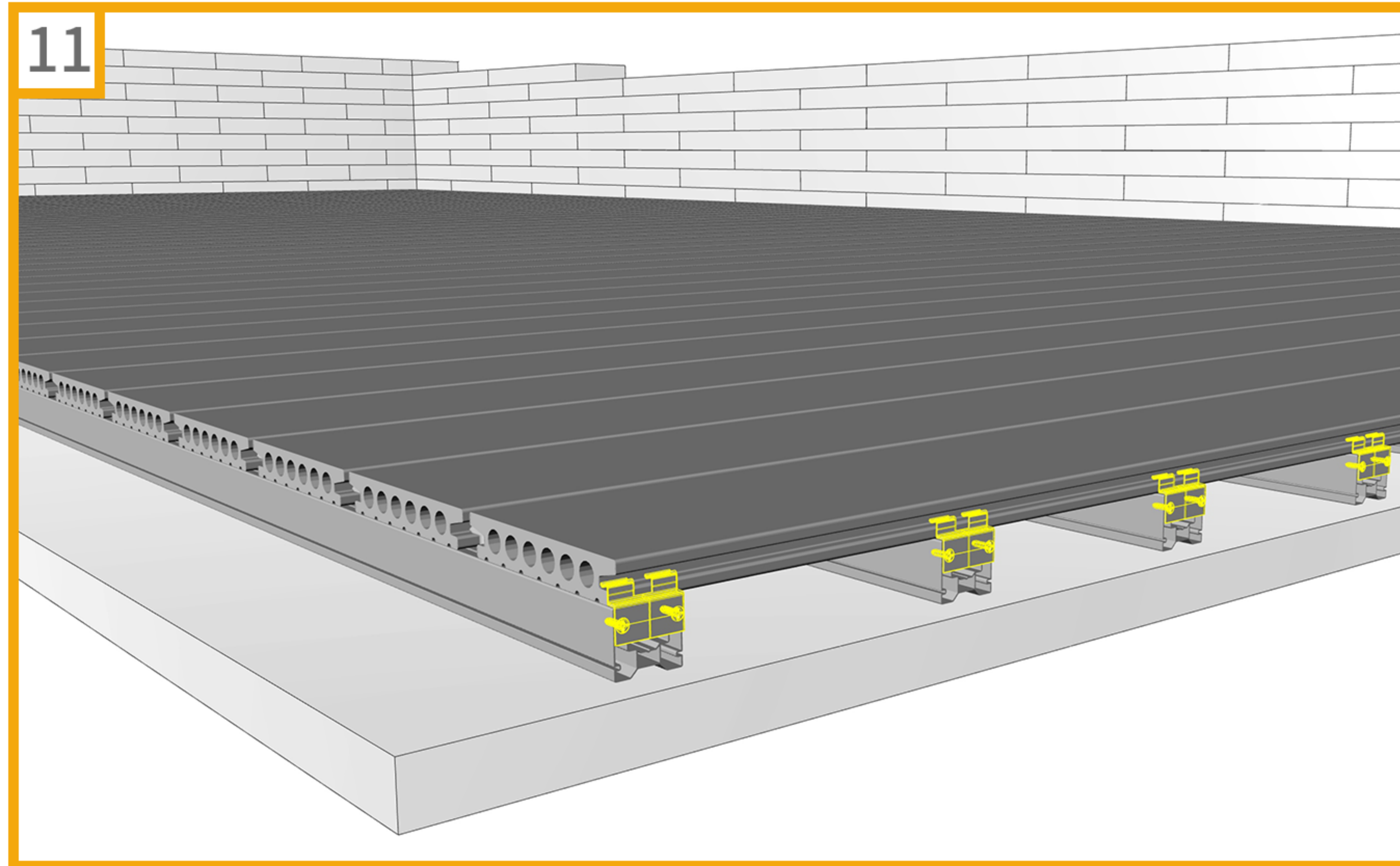


Continue this process for the second, third, and subsequent boards in a row.

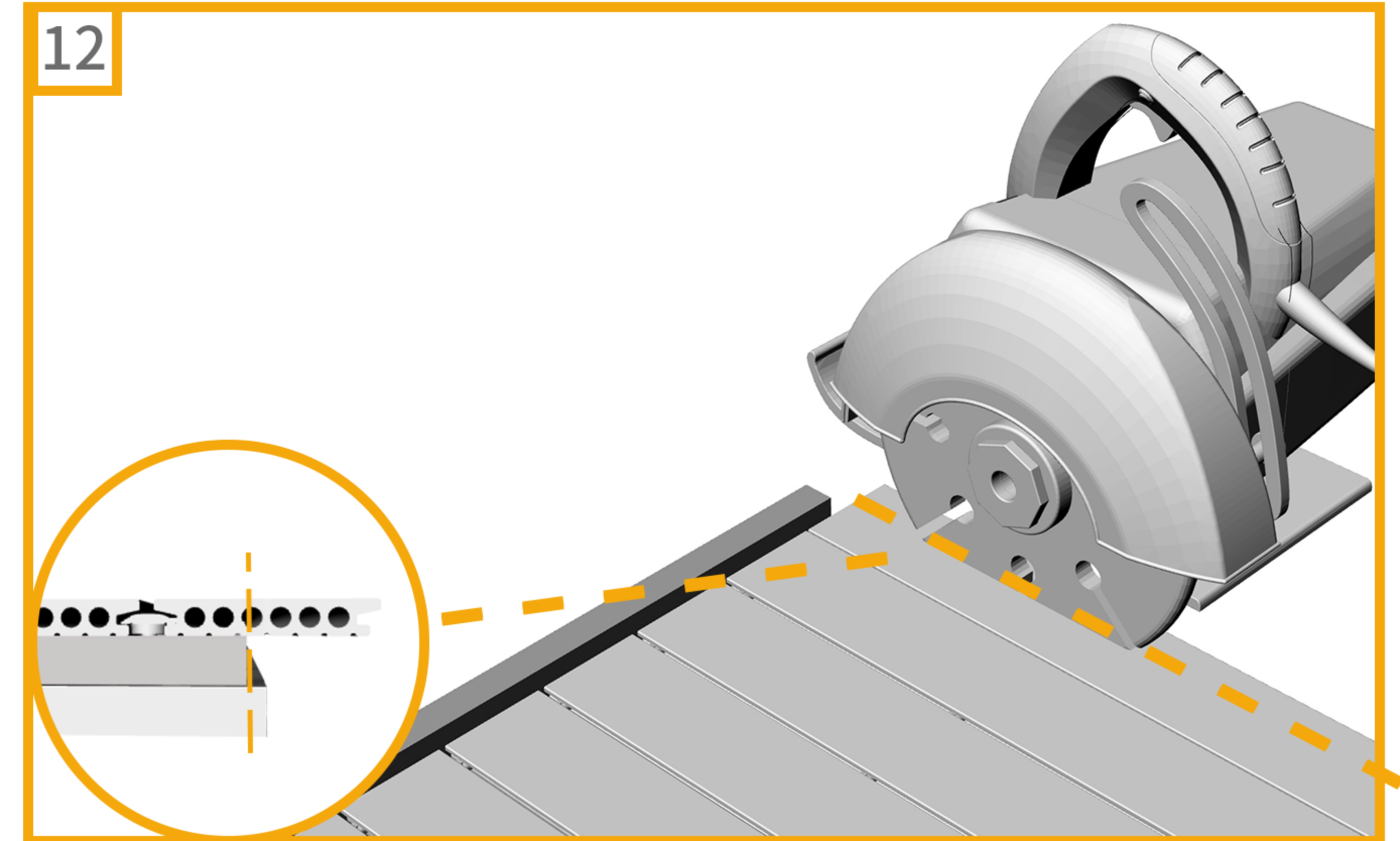


After laying 30 pieces of decking board, secure the intermediate clips in this column to the joists by drilling screws into the preset screw holes.

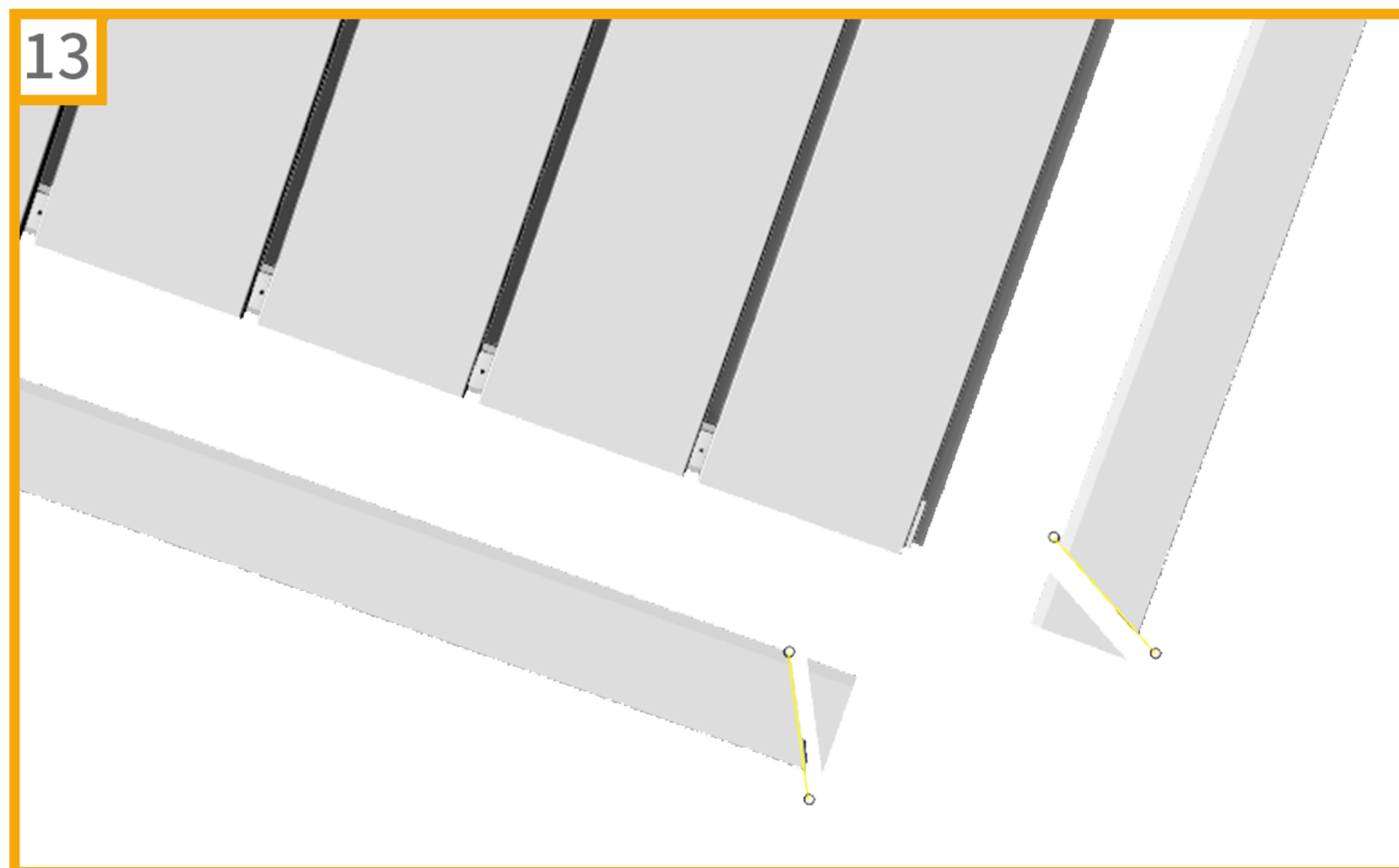
INSTALLATION GUIDE



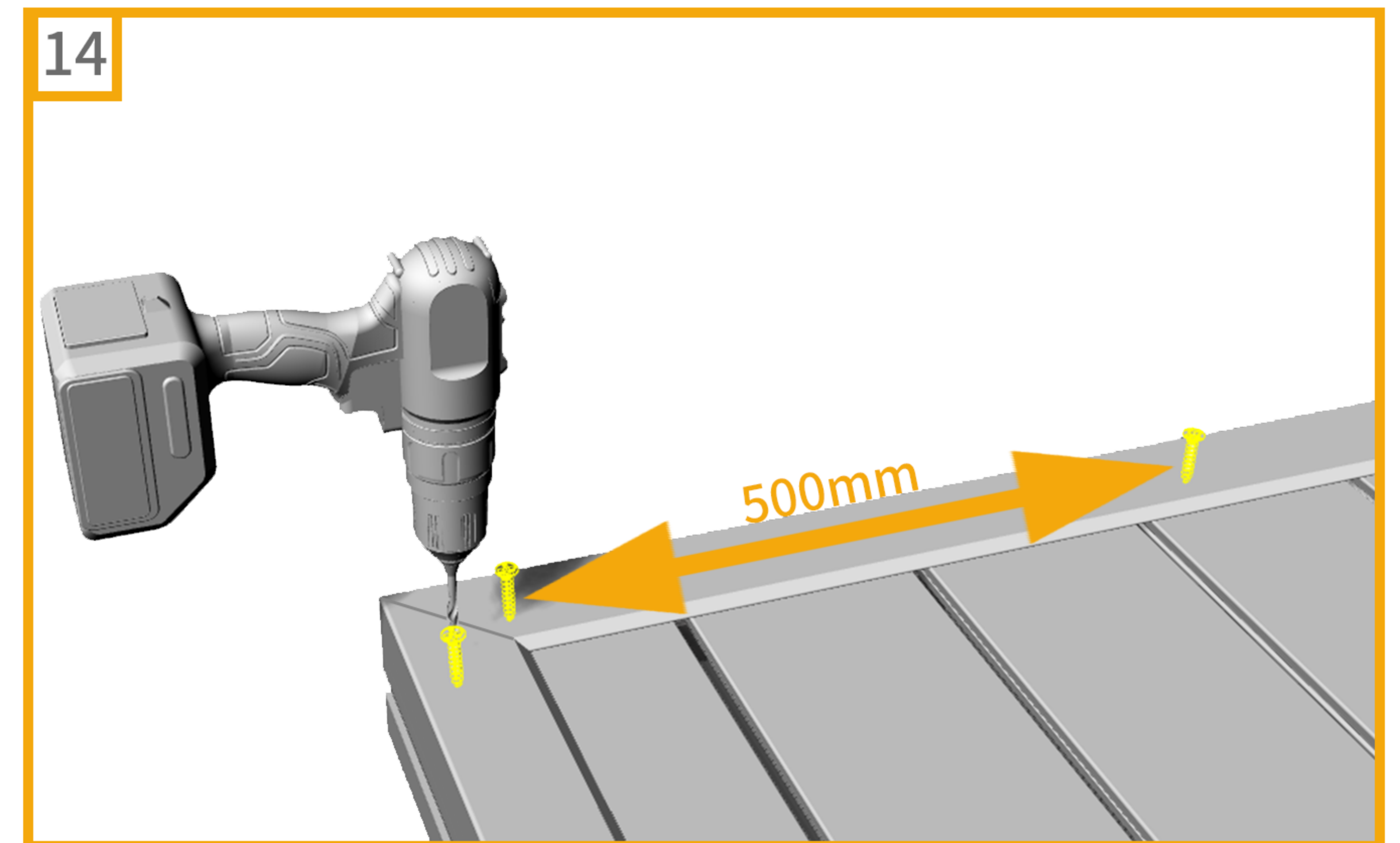
11 When installing the last board, if it aligns perfectly with the joist end, use starter clips to secure it directly.



12 If the last board exceeds the length of the joist, trim the excess with a cut-off saw.



13 Cut two end covers at an angle that allows for seamless joining.



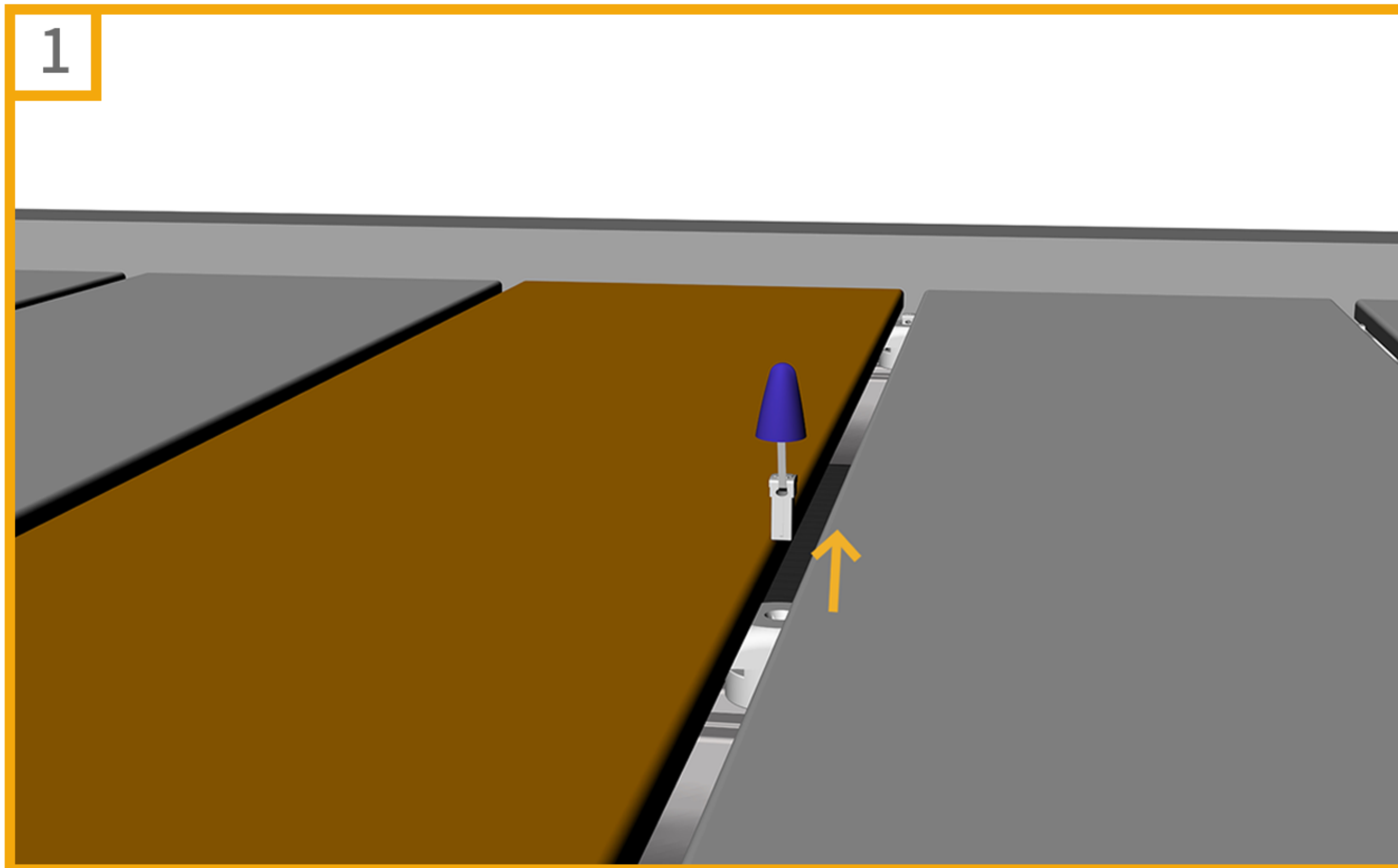
14 Drive screws into the end cover at 500mm intervals to firmly attach it to the decking board.



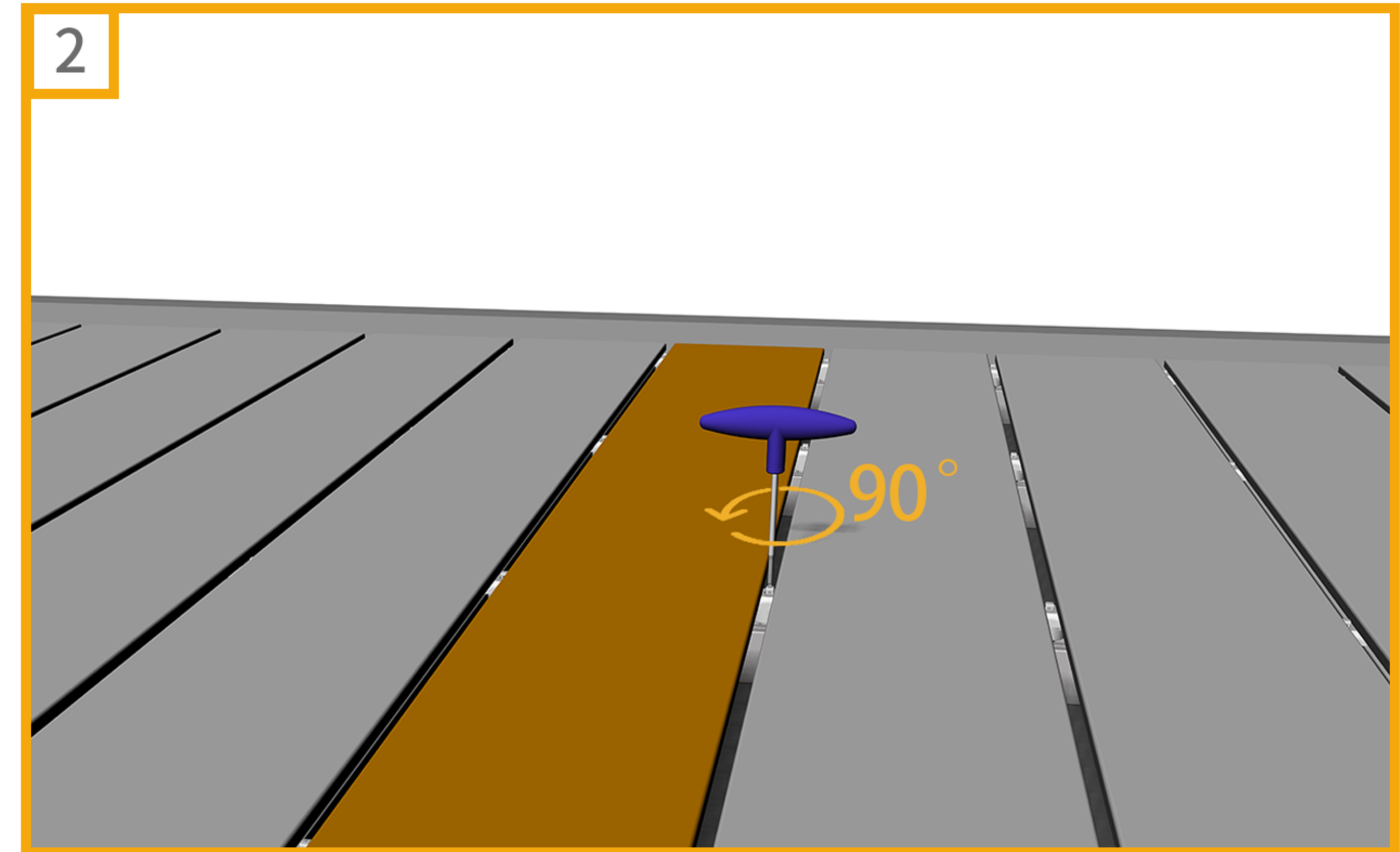
REPLACEMENT GUIDE

Feelingwood offers more than just a fast-installation system, it also provides a convenient deck removal and replacement process. Our detailed instructions make replacing the decking boards quick and easy, ensuring a hassle-free experience for you.

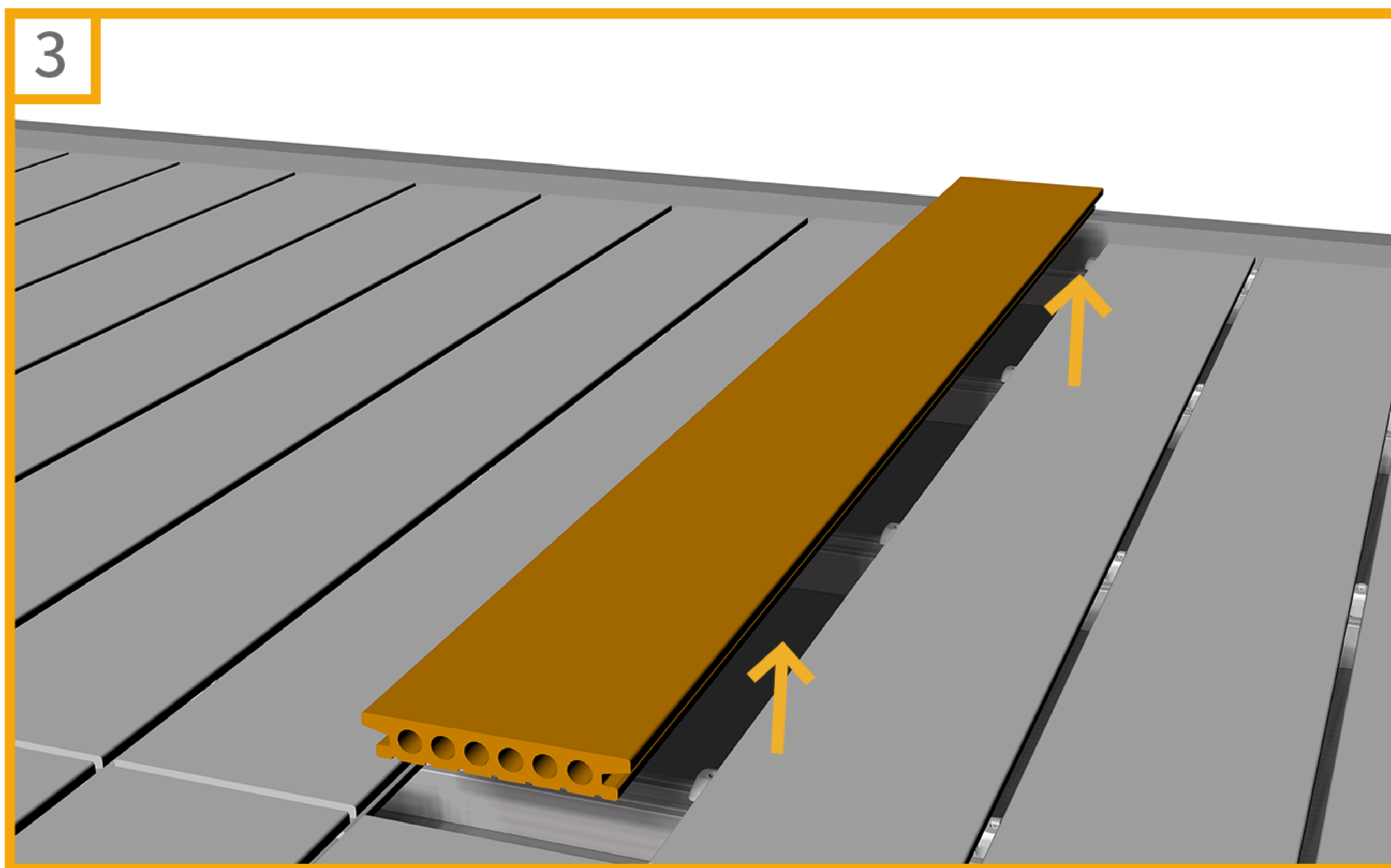
INSTALLATION GUIDE



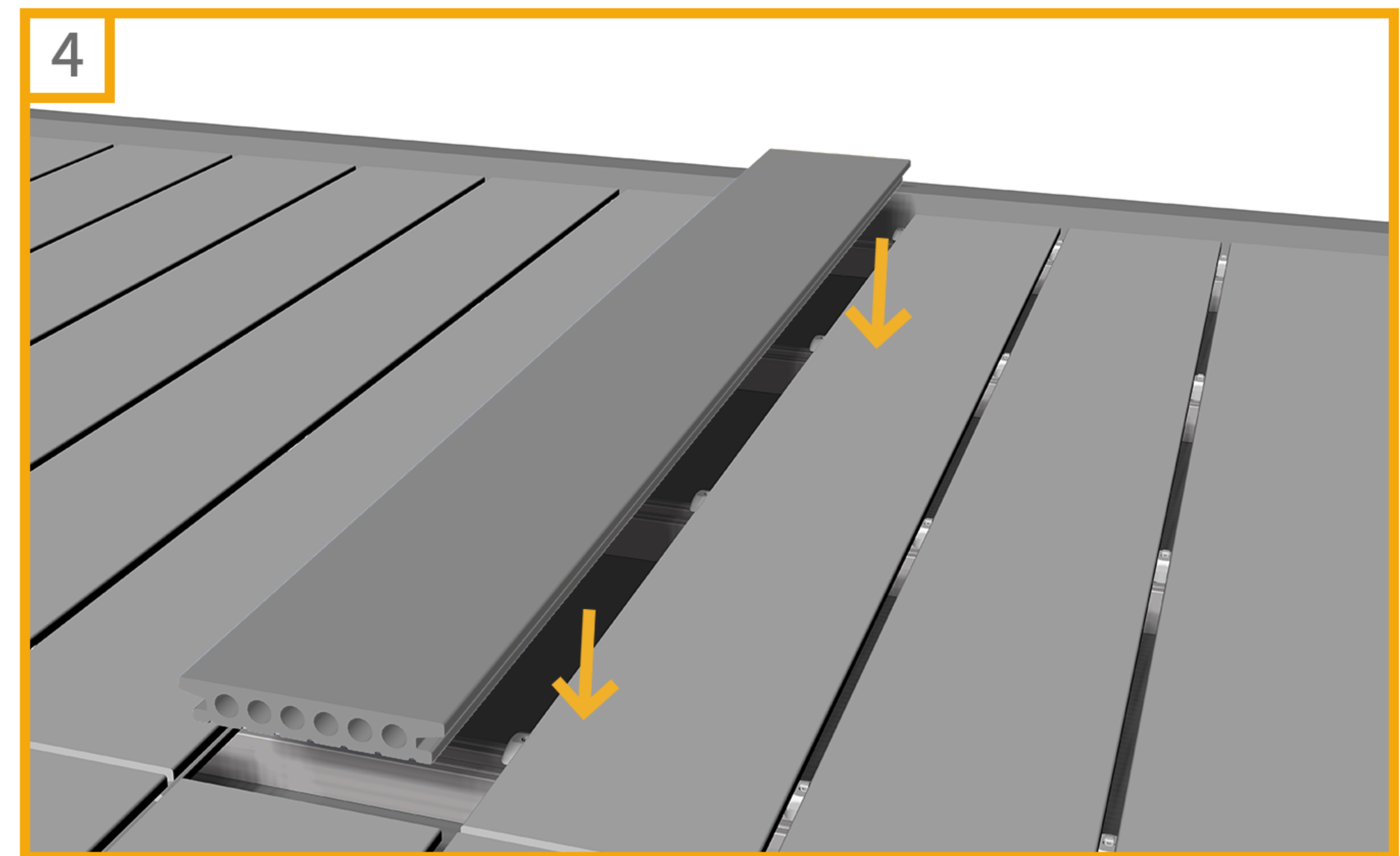
1
Locate the decking board that requires replacement. Use the plug hook to remove the plugs from the intermediate clips on both sides of the board.



2
Insert the driver into the intermediate clips on both sides of the board. Rotate them 90 degrees to release the board.

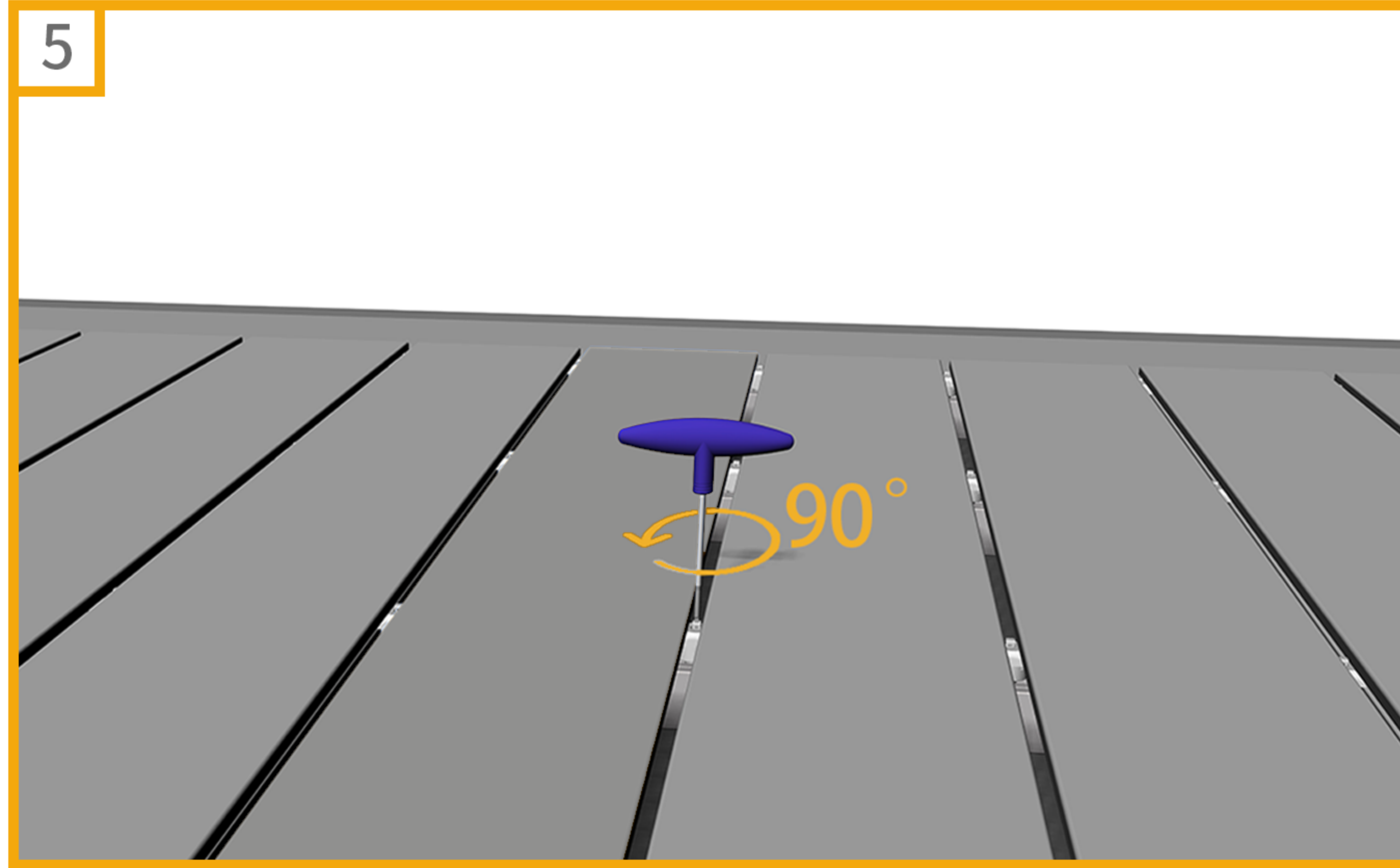


3
Lift and remove the board.

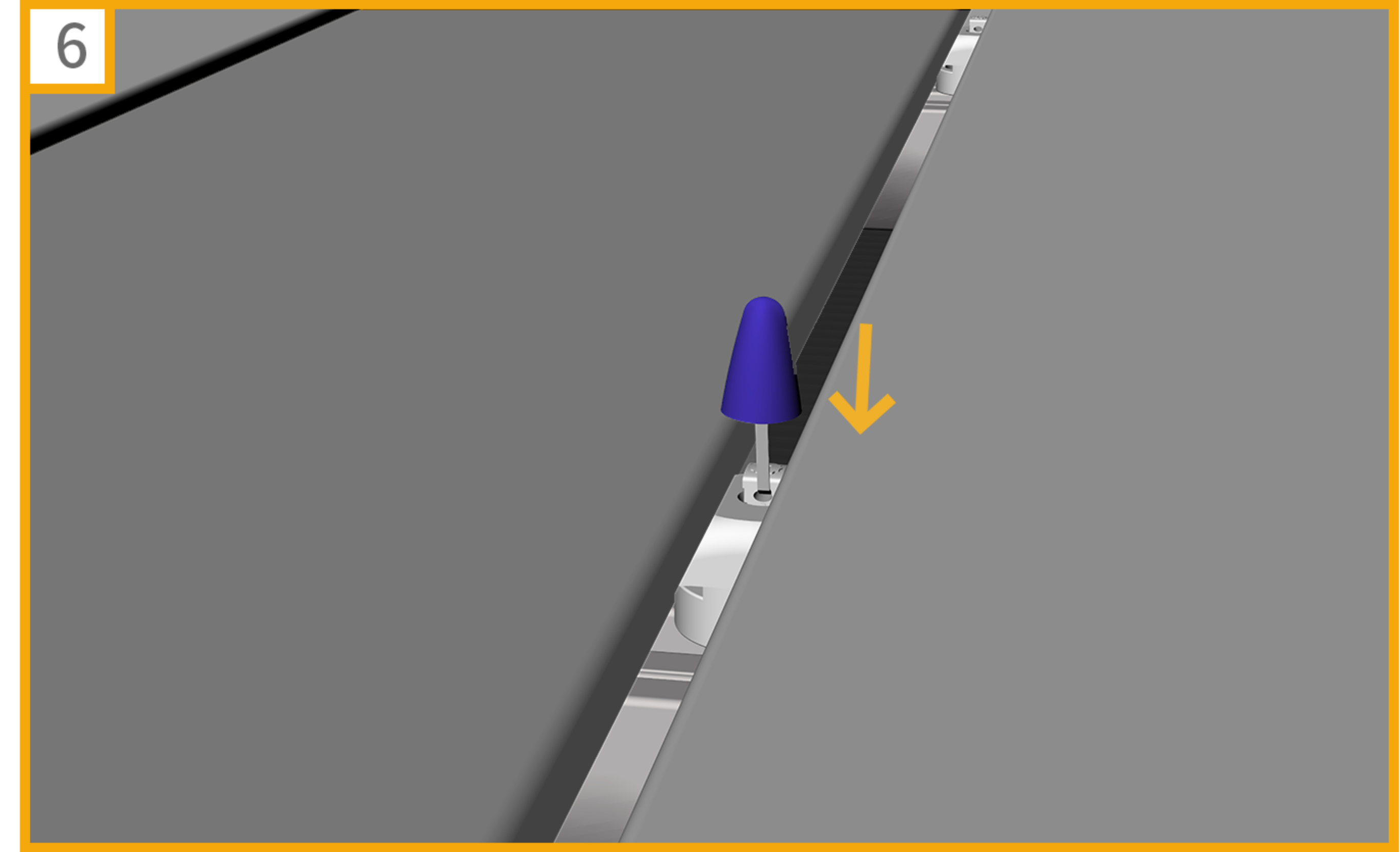


4
Put the new decking board in place.

INSTALLATION GUIDE



Using the plug hook, insert the plugs into the intermediate clips on both sides of the new board.



Insert the driver into the intermediate clips on both sides of the new board. Turn it 90 degrees to securely lock the new board in position.



CLEAN & MAINTENANCE GUIDE

Compared with traditional wood decking, one of the best advantages of composite decking is that it requires low maintenance and is easier to clean. However, low maintenance doesn't mean that it's totally maintenance-free. Generally, you should at least thoroughly clean your composite wood decking 2 times every year. Proper cleaning will help the WPC composite decking maintain its beauty and neatness, extend the life of the decking, as well as improve the slip resistance and safety of the decking.

General Cleaning & Maintenance

Stain Type	Solution
Dust	Use a hard brush dipped in warm soapy water to remove it.
Mildew	Scrub with ordinary wood mold class agents, or bleach to rinse or wipe it directly.
Chalk Stains	In addition to the white chalk, other colors can not be removed once the printing, you can use a bleaching agent with hot soapy water to scratch it.
Ice or Snow	Apply calcium chloride or rock salt, it can melt ice or snow. Then you can use hot soapy water to wash it.
Stain, Soil, and Dirt	Apply detergent, which contains oxalic acid or phosphoric acid. Wiping the stain for 10-15 minutes, you can remove stains.
Greasy and Oil-Based Stains	Once a grease stain, please immediately use household cleaning products with hot soapy water to wash it.
Juice and Wine Stains	Mix the bleach stains agents and soapy water to dilute the stain and then wipe the stain.



Feelingwood

Fast-Installation System,
Exploring a New Life.



Feelingwood official website

FEELINGWOOD CO. LTD

Add: 10611 Harwin, Dr Suite 406. Houston. TX 77036.USA

Web: www.feelingwoodwpc.com

Email: sales@feelingwoodwpc.com

