



Decking Installation Guide



CONTENTS

Important Note	3
Expansion Reserved Gaps	4
Decking Parts Overview	5
Decking Parts Introduction	6
Decking Installation Steps	7-12

Important Note

Before installing any composite product, it is recommended that you check your local building codes for any special requirements or restrictions. The diagrams and instructions outlined in this guide are for illustrative purposes only and are not meant or implied to replace a licensed professional. Any construction or use of Hosung products must comply with all local zoning and/or building codes. The consumer assumes all risks and responsibilities associated with the construction and use of this product.

Safety

Please take safety precautions before installing the decking, check that the equipment is working properly and is free of malfunctions, and wear protective safety props such as gloves, goggles, and impact resistant shoes.

Environment

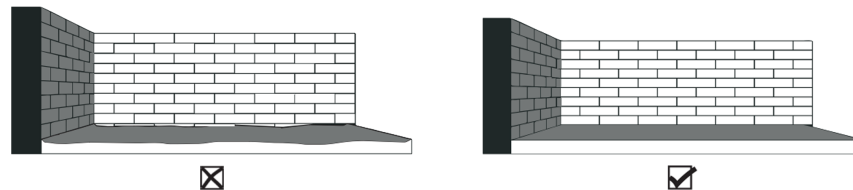
Proper installation of Deckwood's products requires a clean, smooth, flat and sturdy surface. Check with local building codes before installing any type of decking. If installation is not immediate, Deckwood's products need to be placed on a flat surface at all times. Never place

Planning

Plan the layout for your decking before you begin to ensure you get the best look for your decking project. Building codes and zoning ordinances usually apply to permanent structures, i.e., any structure that is anchored to the ground or attached to a house. As a result, almost every type of decking requires permits and inspections from your local building department. We recommend planning the overall layout approach and scope of the layout prior to installation to try to avoid

Ground preparation

The installation requires the ground treatment to be leveled, and the surface of the concrete base layer should be hard, level, clean, dry, free of floating soil, sand, and cracks. The protruding gravel should be cut flat, the recessed part should be filled, and the water content of the ground should be measured.

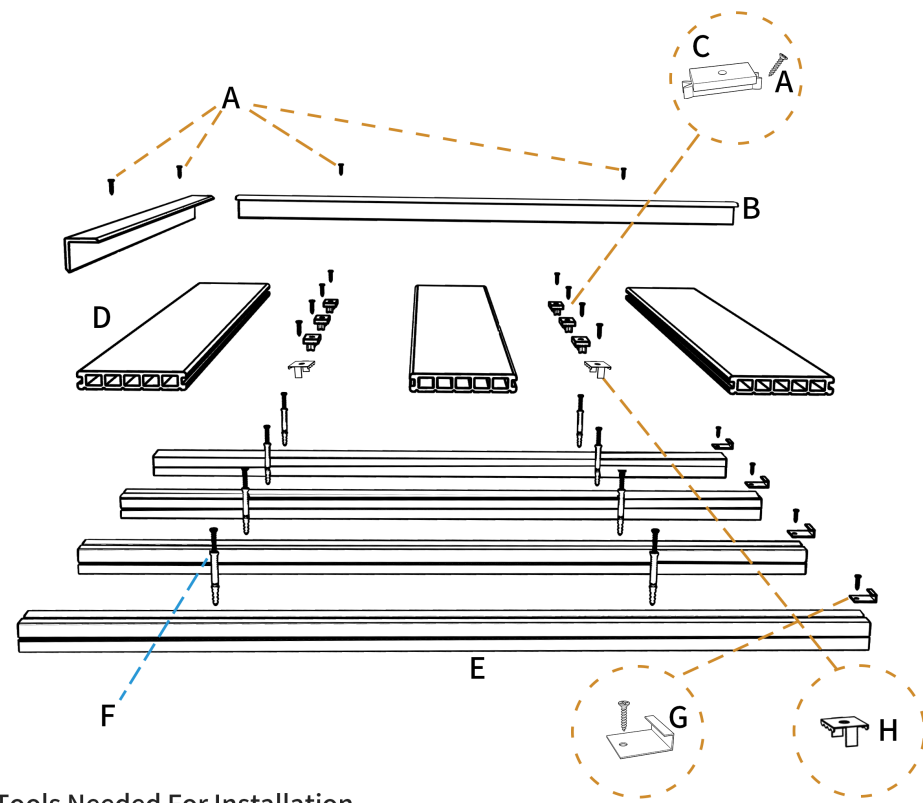


Expansion Reserved Gaps

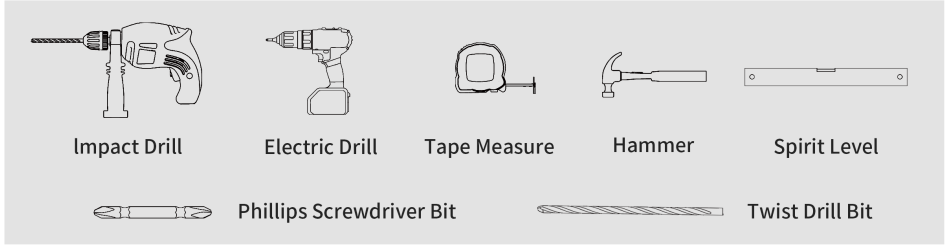
As different countries and regions have different climate changes, we recommend that our customers calculate the number of reserved gaps according to the formula, local temperature changes, the length of the boards to be installed, and the number of gaps. The following is a calculation reference table for a certain region.

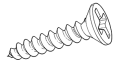
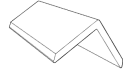


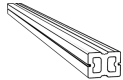

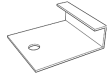

		Length of boards (mm)									Thermal expansion rate
		1000	2440	2900	3000	3660	3900	4000	4880	5400	5
Temperature difference	10	0.5	1.2	1.5	1.5	1.8	2.0	2.0	2.4	2.7	Reserved gaps (mm)
	15	0.8	1.8	2.2	2.3	2.7	2.9	3.0	3.7	4.1	
	20	1.0	2.4	2.9	3.0	3.7	3.9	4.0	4.9	5.4	
	25	1.3	3.1	3.6	3.8	4.6	4.9	5.0	6.1	6.8	
	30	1.5	3.7	4.4	4.5	5.5	5.9	6.0	7.3	8.1	
	35	1.8	4.3	5.1	5.3	6.4	6.8	7.0	8.5	9.5	
	40	2.0	4.9	5.8	6.0	7.3	7.8	8.0	9.8	10.8	

Decking Parts Overview



Tools Needed For Installation



Product	Code	Description
A 	SS-01	Stainless Steel Screw
B 	HX55B55	End Cover
C 	HXPC02	Intermediate Clip
D 	HX-DECK	Decking Board
E 	HX-JOIST	WPC Joist
F 	HXACS01	Expansion Screw
G 	HXSTC02	Starter Clip
H 	HXFC	Fixing Clip

Decking Installation Steps

- 1 Measure the overall distance. Lay the joist 10mm from the wall and keep a 300mm spacing between two joists widthways. If the decking board isn't long enough and requires splicing, use two joists for each decking board at the juncture. And the spacing between the two joists is 30mm.

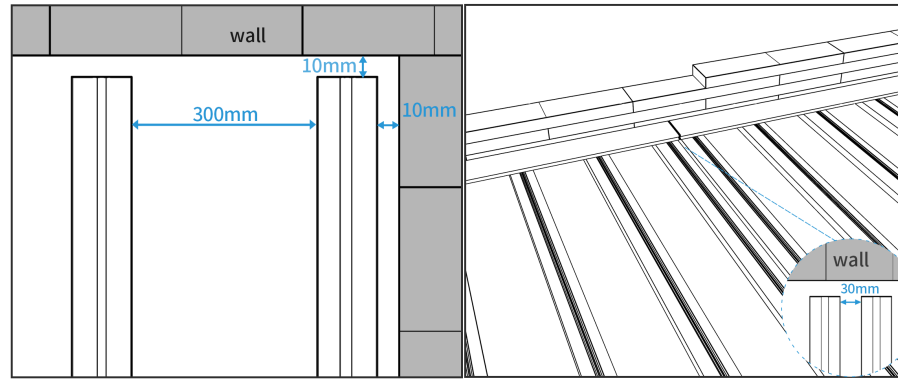


Diagram 1

Diagram 2

- 2 In order to prevent the impact drill from causing cracks on the joist, use an 8mm twist drill to punch holes on the joist. And then use an impact drill to punch holes on the ground, ensuring the hole depth not less than 60mm. The first hole should be punched at 50mm from the end of the joist. And subsequent holes should be punched at intervals of 500mm.

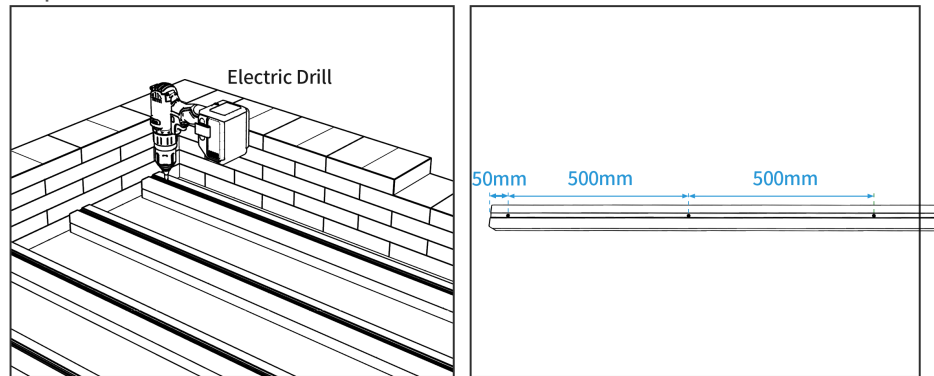


Diagram 3

Diagram 4

- 3** Insert plastic expansion tubes into the punched holes. Use an electric drill to secure the joist firmly to the ground with screws.

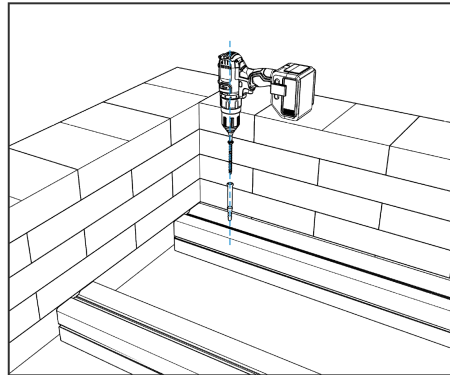


Diagram 5

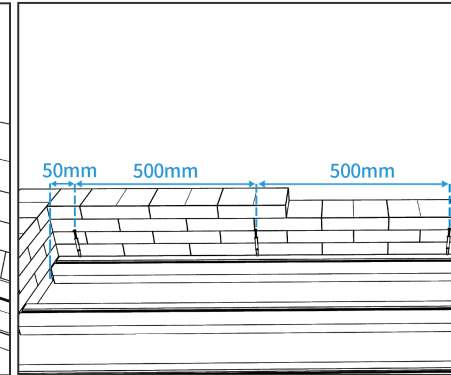


Diagram 6

- 4** Lay all remaining joists in turn. Follow the diagram for splicing if the decking board falls short in length, 2 joists are needed for each deck at the juncture.

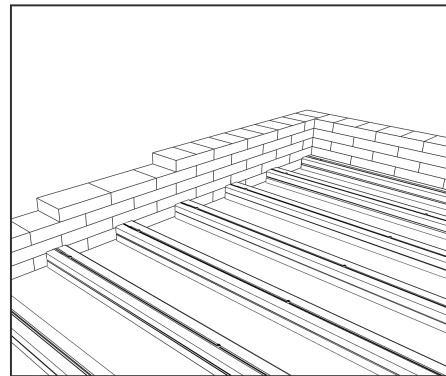


Diagram 7

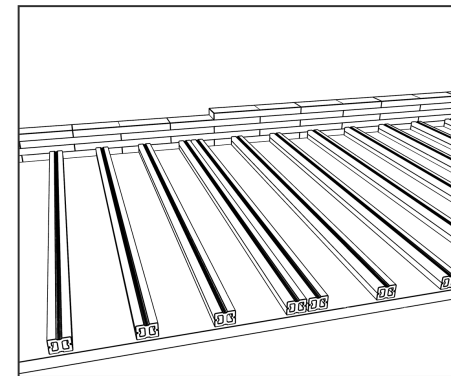


Diagram 8

- 5** Place the starter clips at the center of the end of the joist. Punch holes with a twist drill and then secure the clips to the joist using screws.

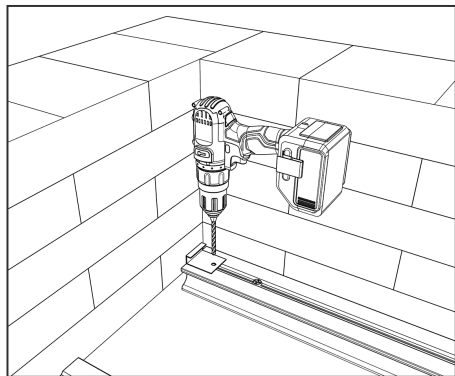


Diagram 9

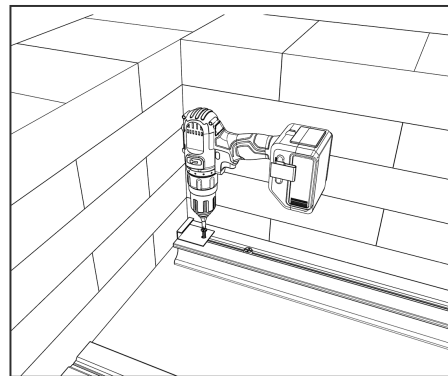


Diagram 10

- 6** Push the first piece of decking board firmly into the starter clips, achieving the desired effect as shown on the right.

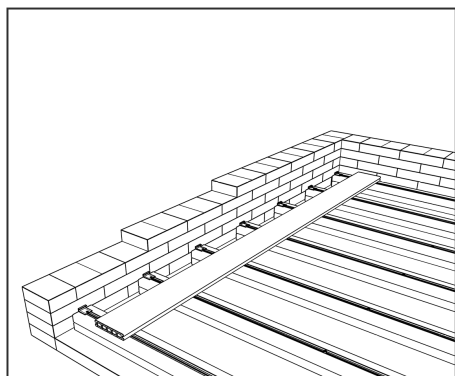


Diagram 11

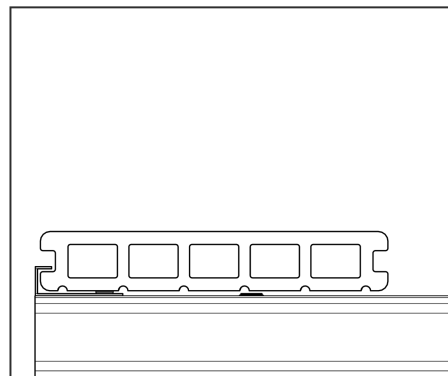


Diagram 12

- 7** Snap intermediate clips into decking grooves. Use a twist drill to punch holes in the joist through the holes in the clips. Secure clips to the joist with screws using an electric drill. Do not tighten them at this time. To manage thermal expansion impacts, use a fixing clip for each decking board and adjust its position as needed.

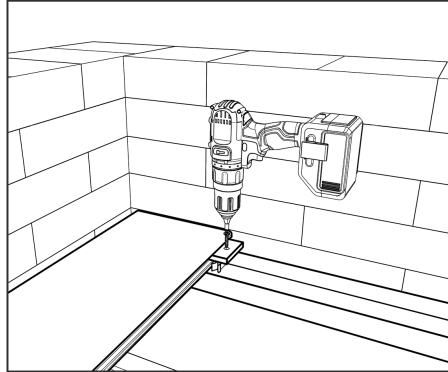


Diagram 13

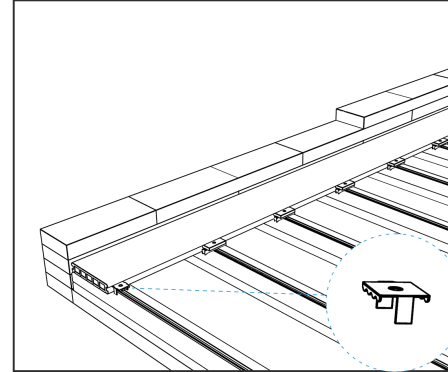


Diagram 14

- 8** Insert the second piece of decking board into the intermediate clips, then tighten the screws on the clips.

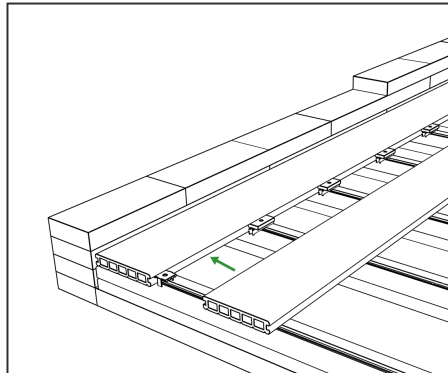


Diagram 15

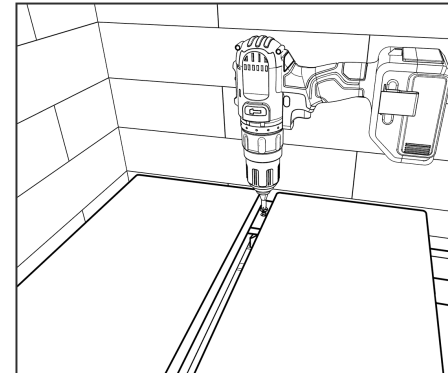


Diagram 16

- 9 Install the decking boards and intermediate clips in turn, achieving the desired effect as shown on the right.

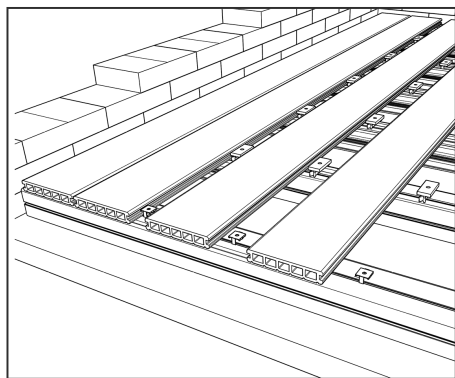


Diagram 17

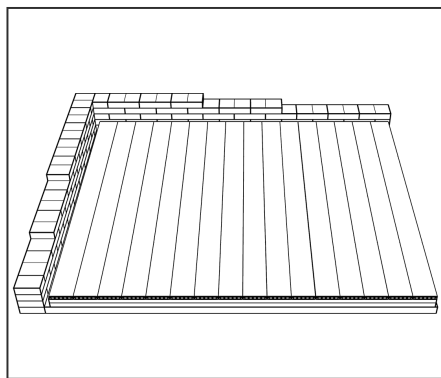


Diagram 18

- 10 Cut off the extra part of the last piece of decking board with a cut-off saw, as shown on the right.

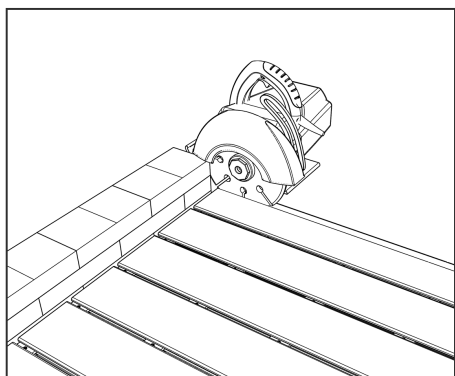


Diagram 19

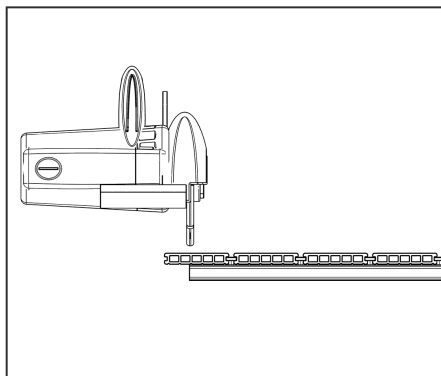


Diagram 20

- 11** Drive screws into the last piece of decking board to secure it to the joists. Cut the connecting ends of the two end covers at a 45° angle for a seamless join.

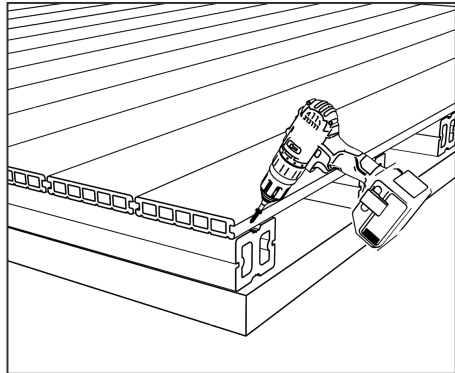


Diagram 21

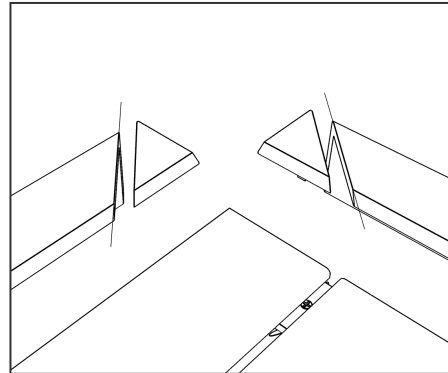


Diagram 22

- 12** Secure the end covers to the decking board by driving screws at 500mm intervals. Your decking is now successfully installed.

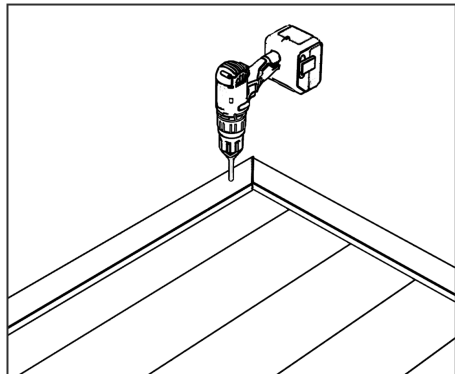


Diagram 23

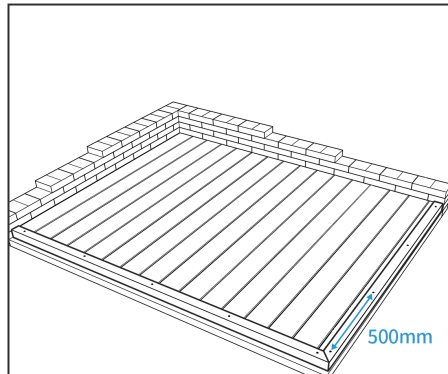


Diagram 24



FEELINGWOOD CO., LTD.

Add: 10611 Harwin Dr Suite 406 Houston TX, USA 77036

Tel: +1(832) 605-5896

Email: lucio@feelingwoodwpc.com

www.feelingwoodwpc.com

